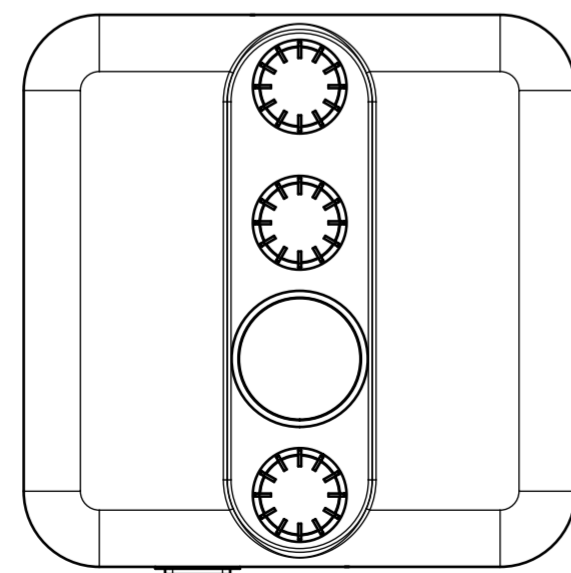
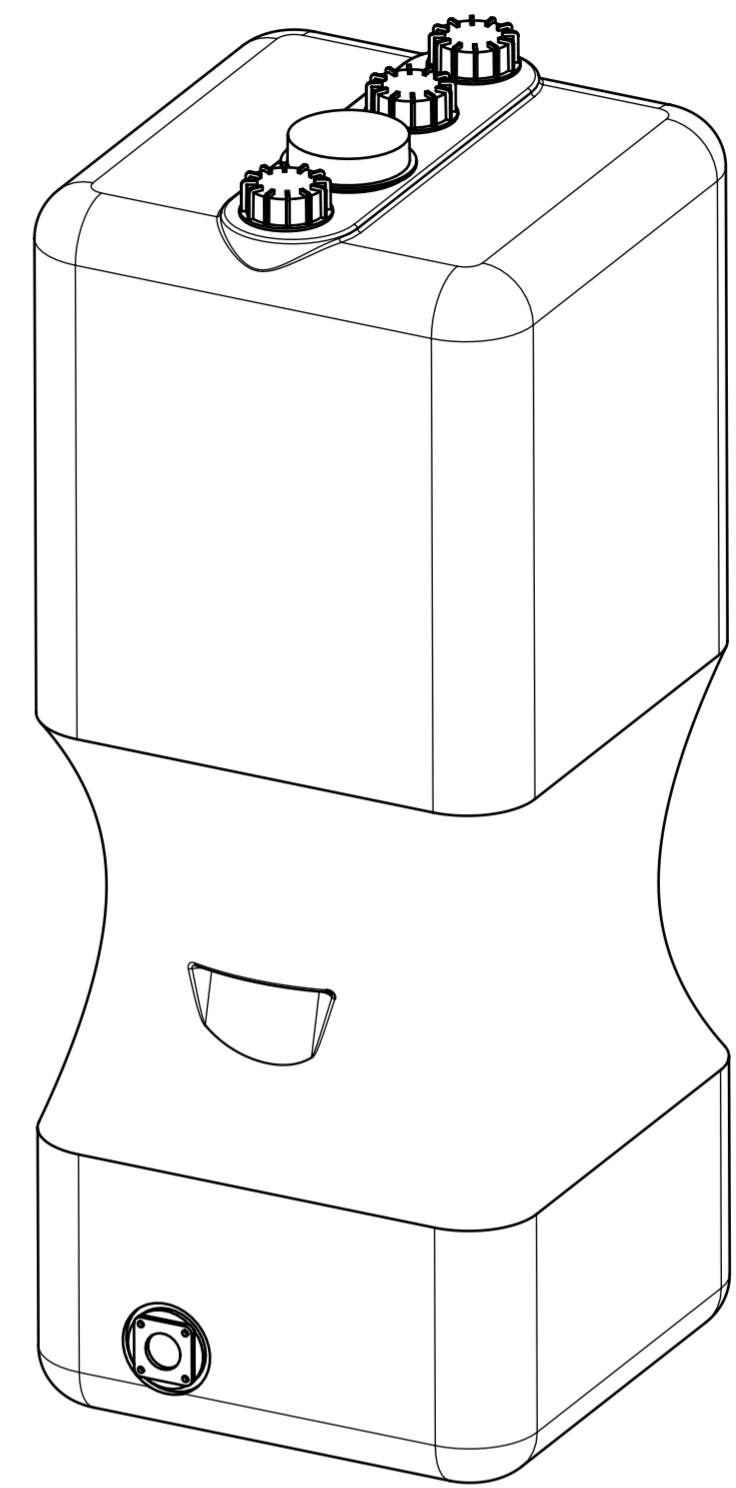
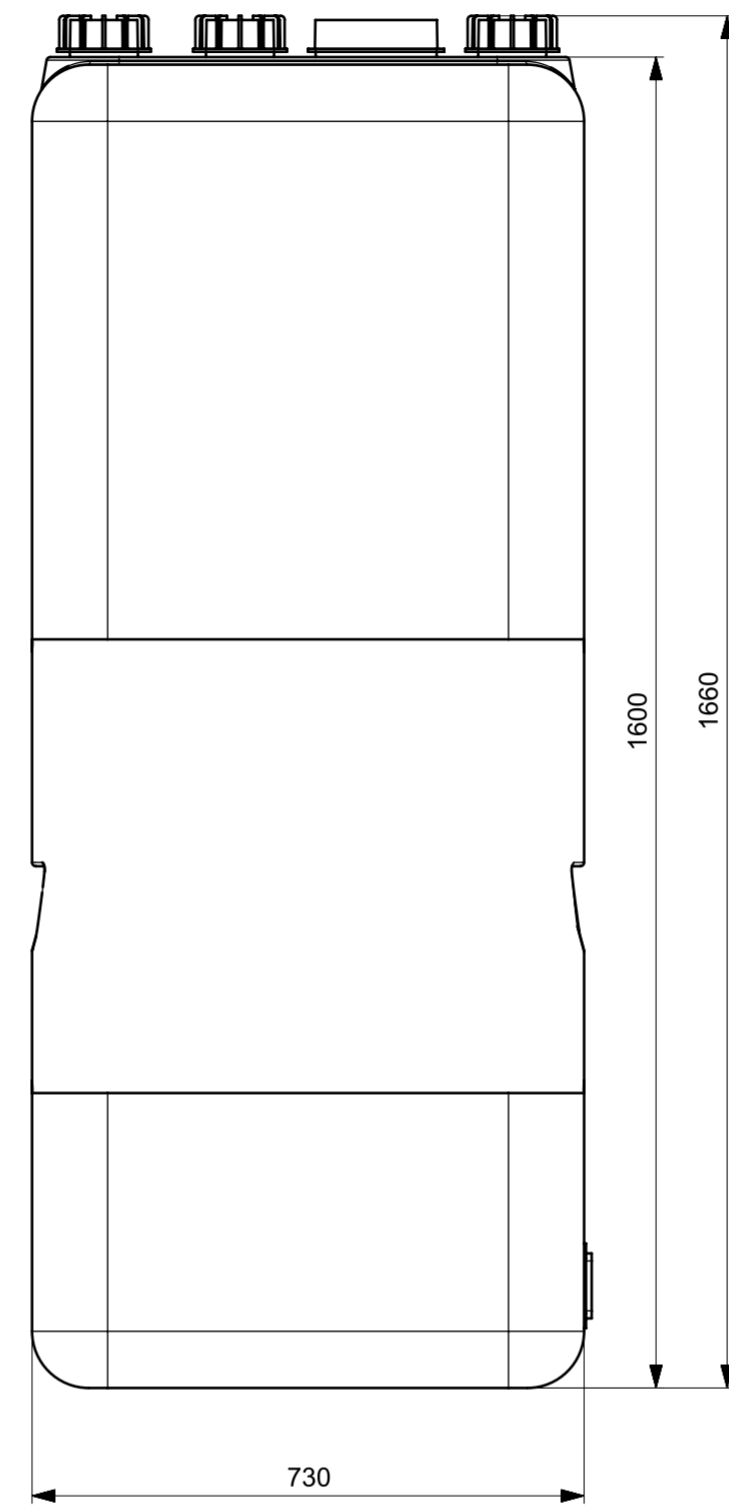
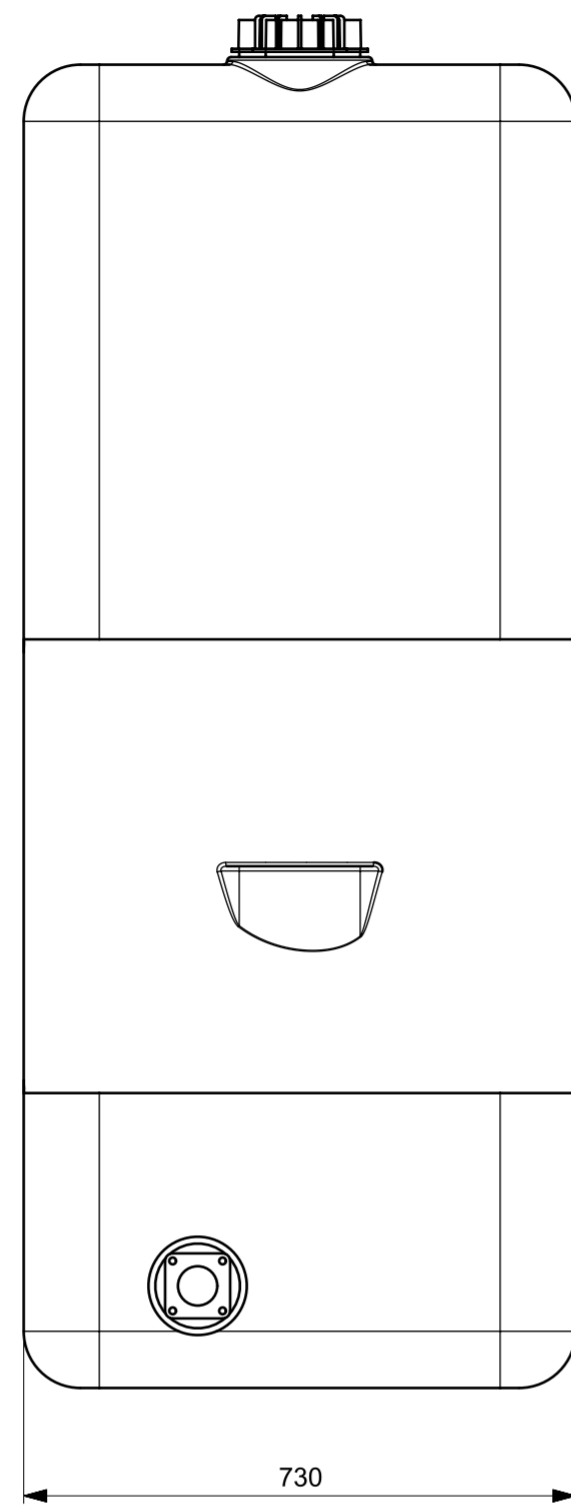
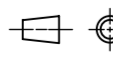


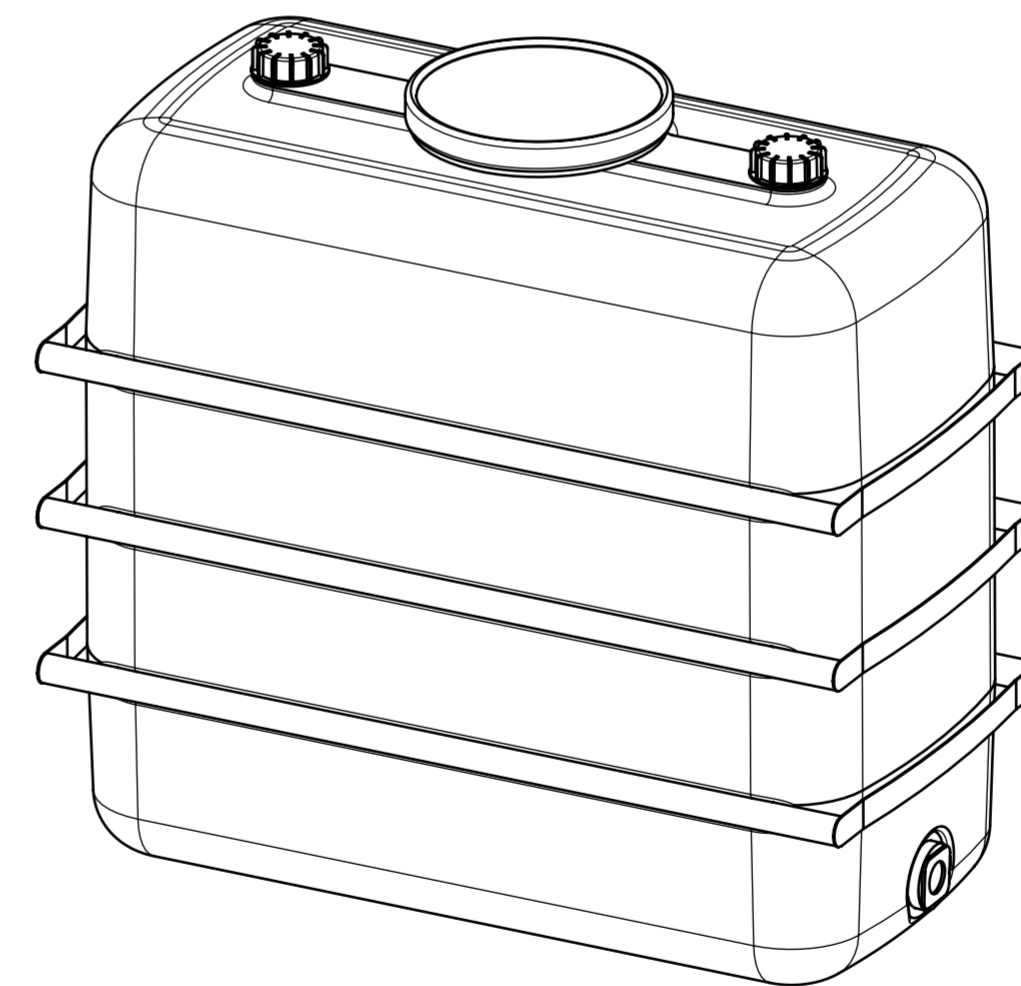
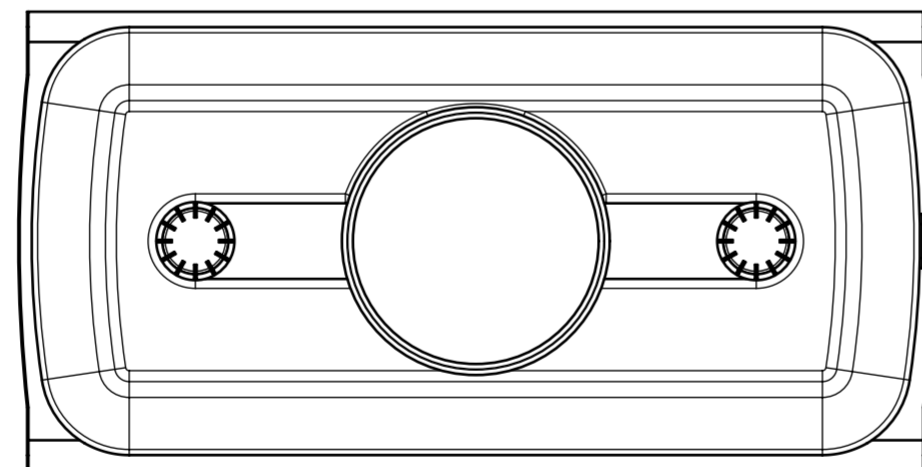
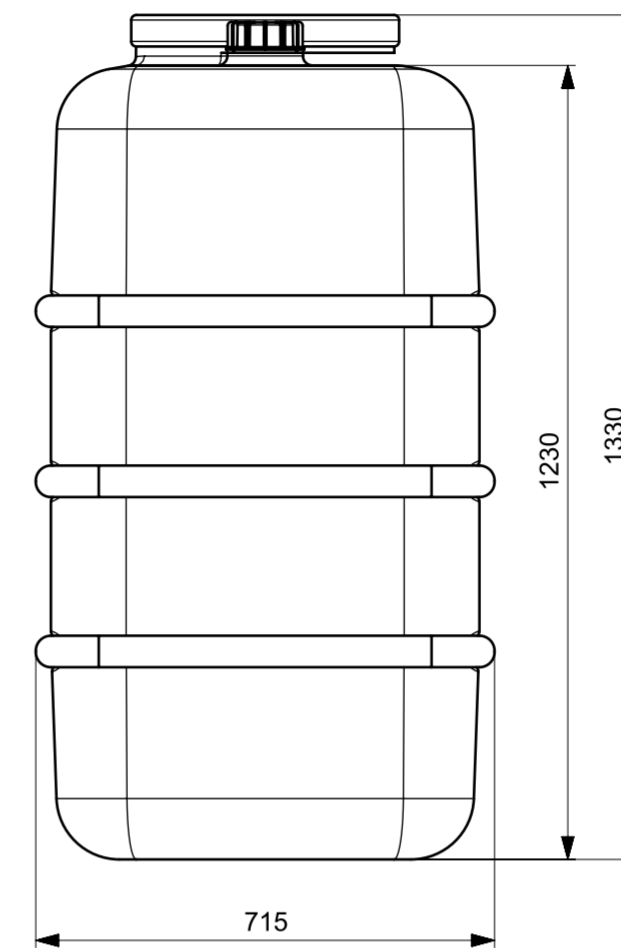
8 7 6 5 4 3 2 1

F
E
D
C
B
A

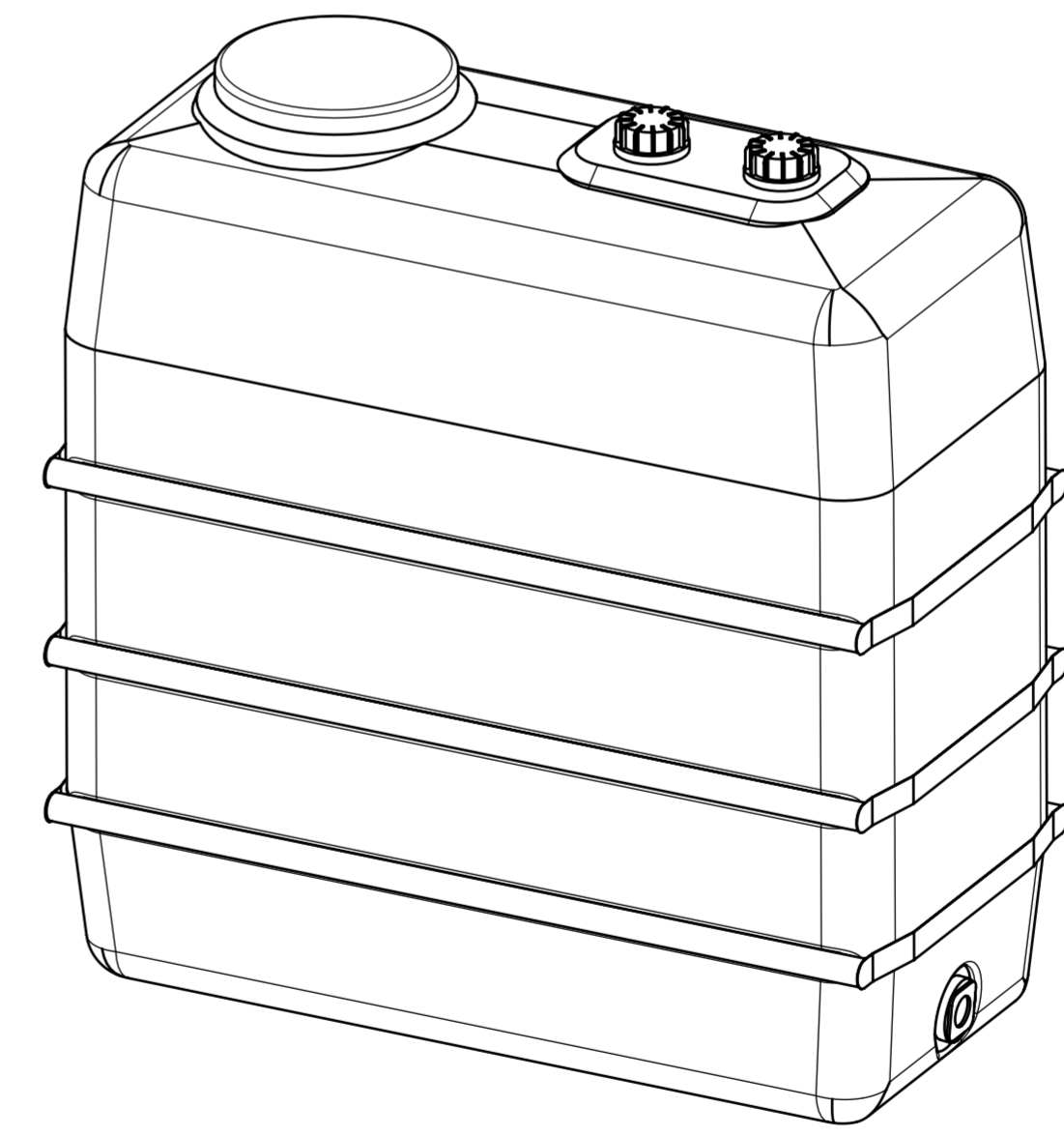
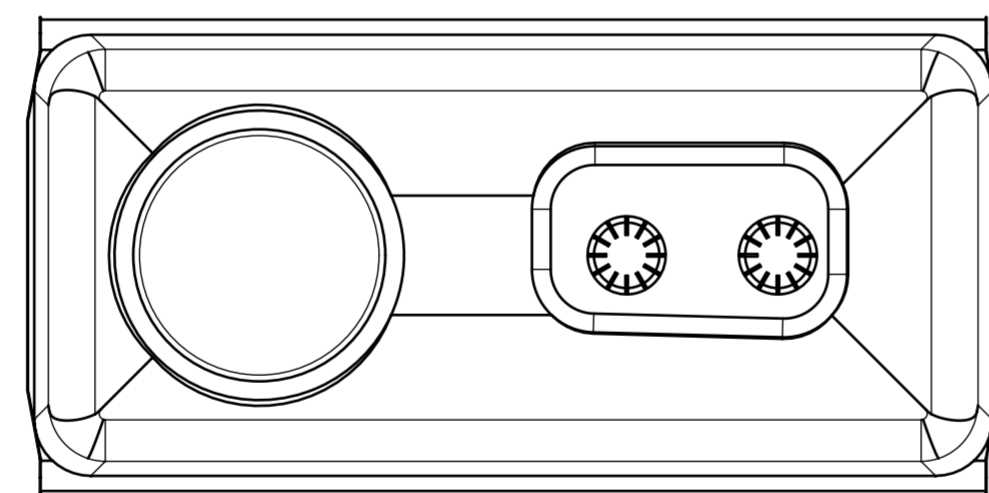
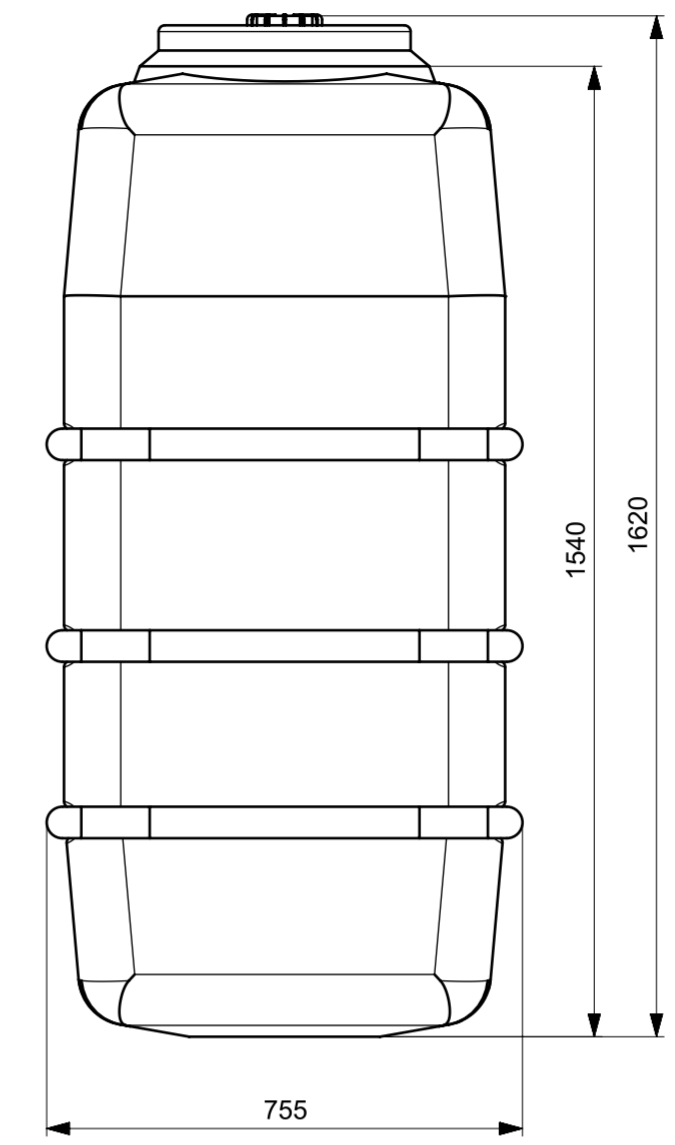
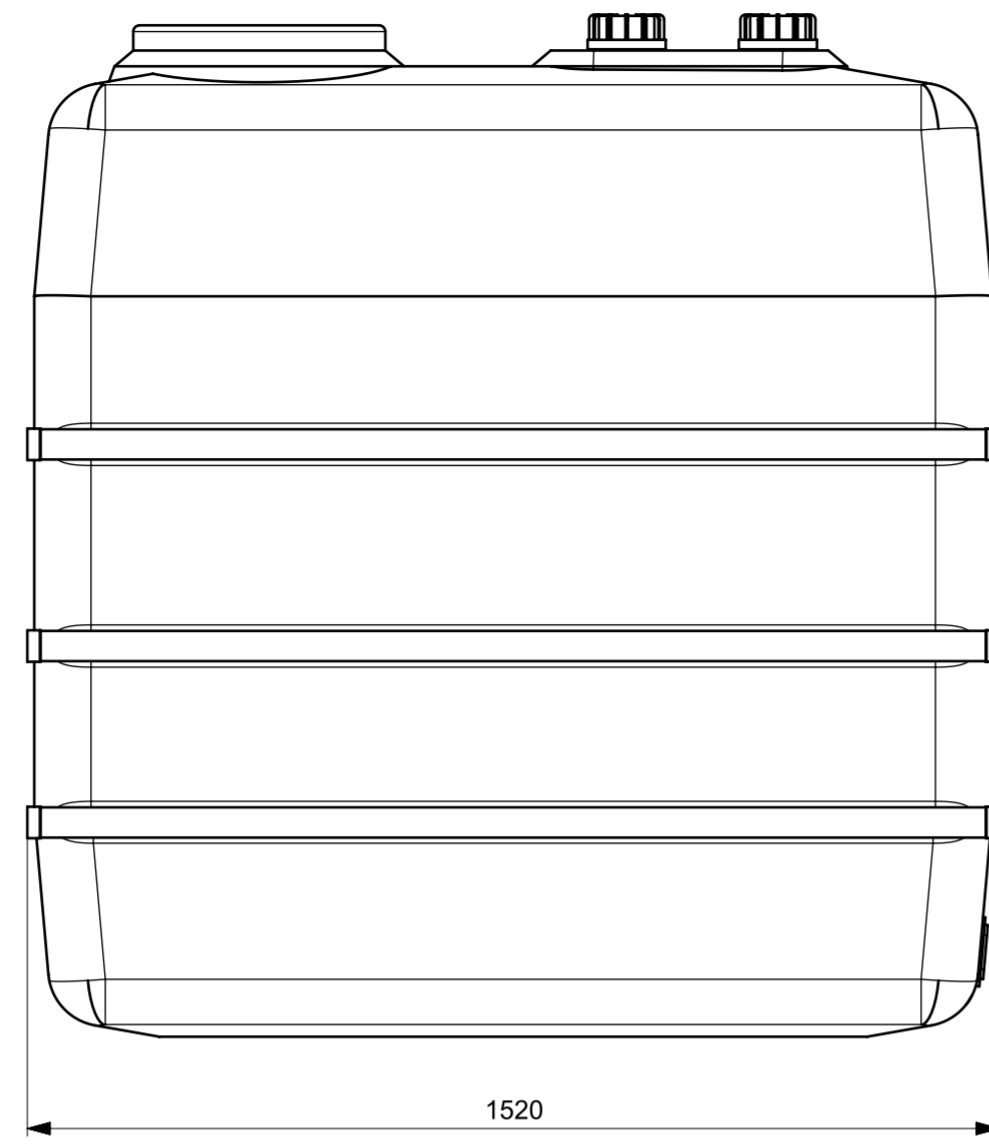


Linear tolerances	Surface roughness	Shape and positioning tolerances	Bend tolerances	Finishing	
Drawing name				Material	
STOCKAGETANK 750L				LLDPE	
Drawn by	Name	Date	 Drawing number STOCKAGETANK_750_2D_0.01.prt	Sheet	1 of 1
Approved by	unit : MM			Scale	1 : 10
DS PLASTICS WATERTIGHT SOLUTIONS			DS PLASTICS N.V. Mosten 18 9160 Lokeren T: +32 (0)9 280 78 80	All rights reserved. No parts of this concept may be reproduced in any form or by any means without the prior written permission of DS PLASTICS N.V.	

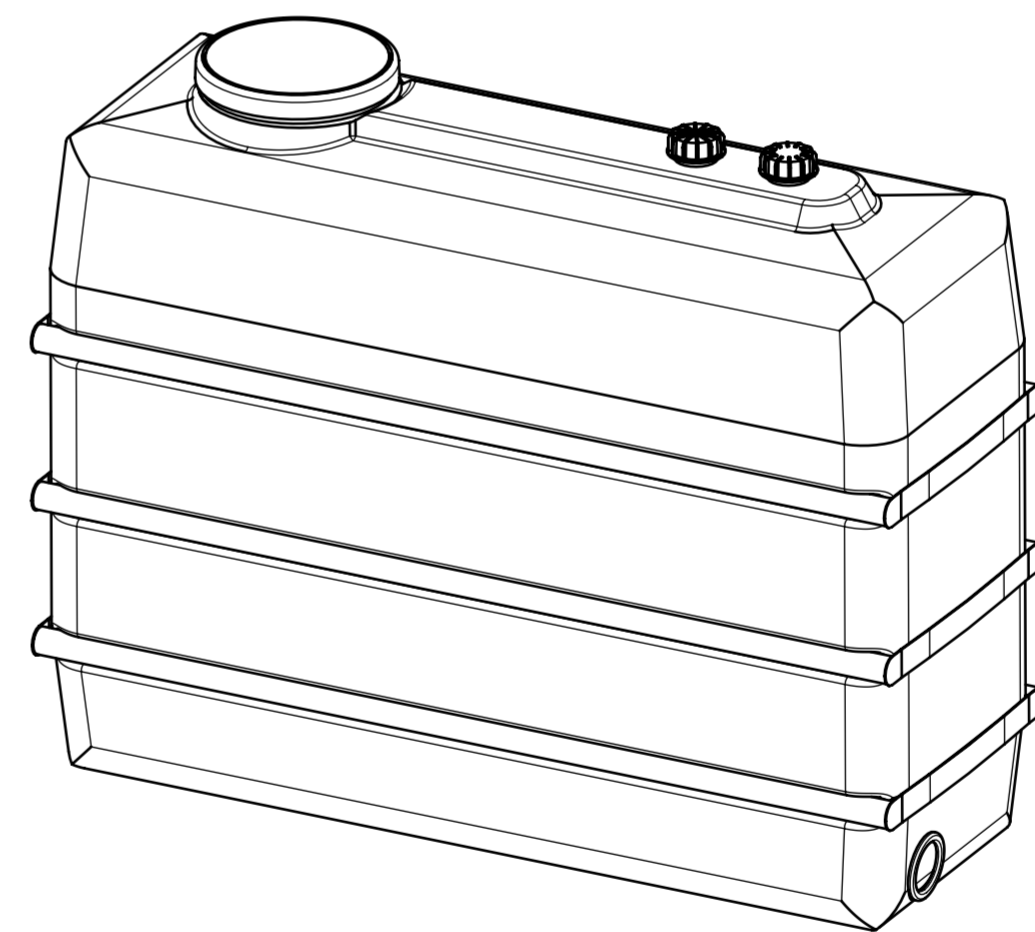
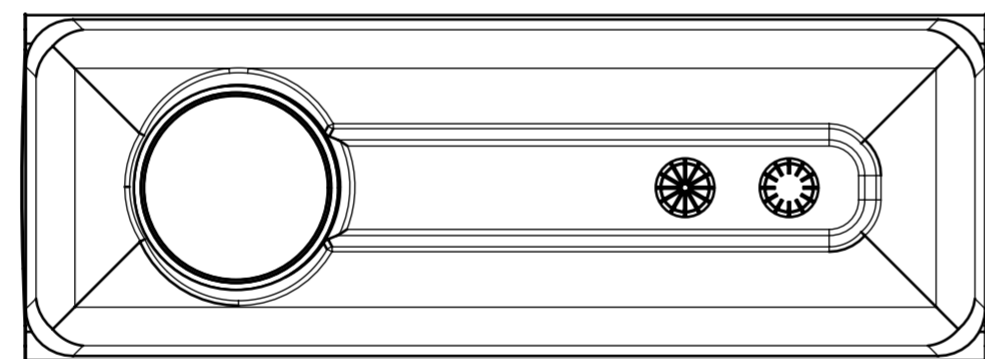
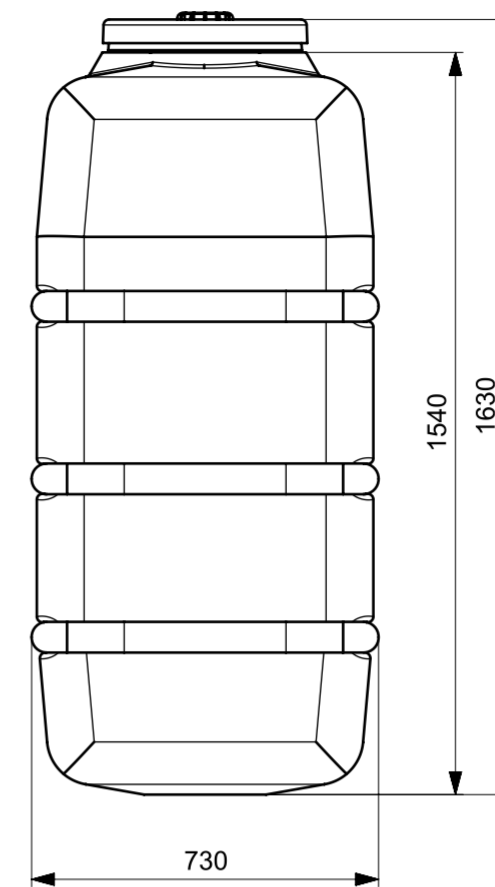
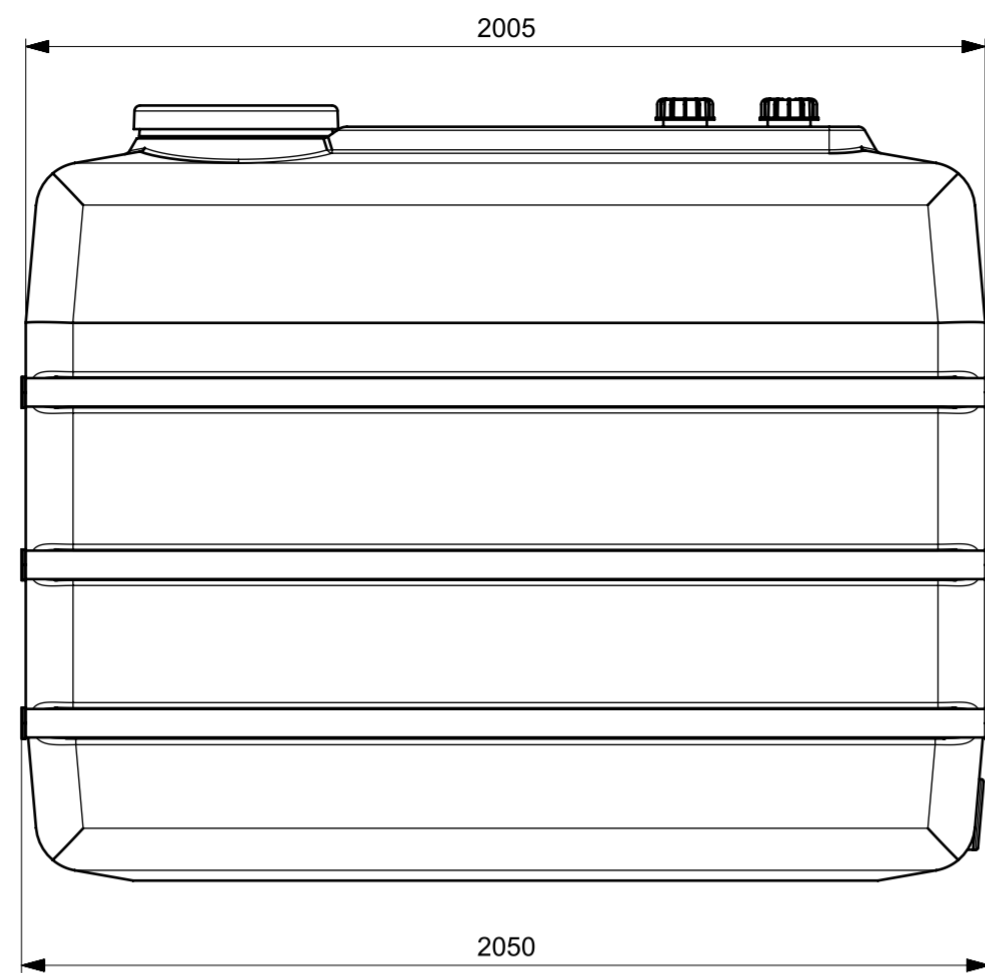
8 7 6 5 4 3 2 1



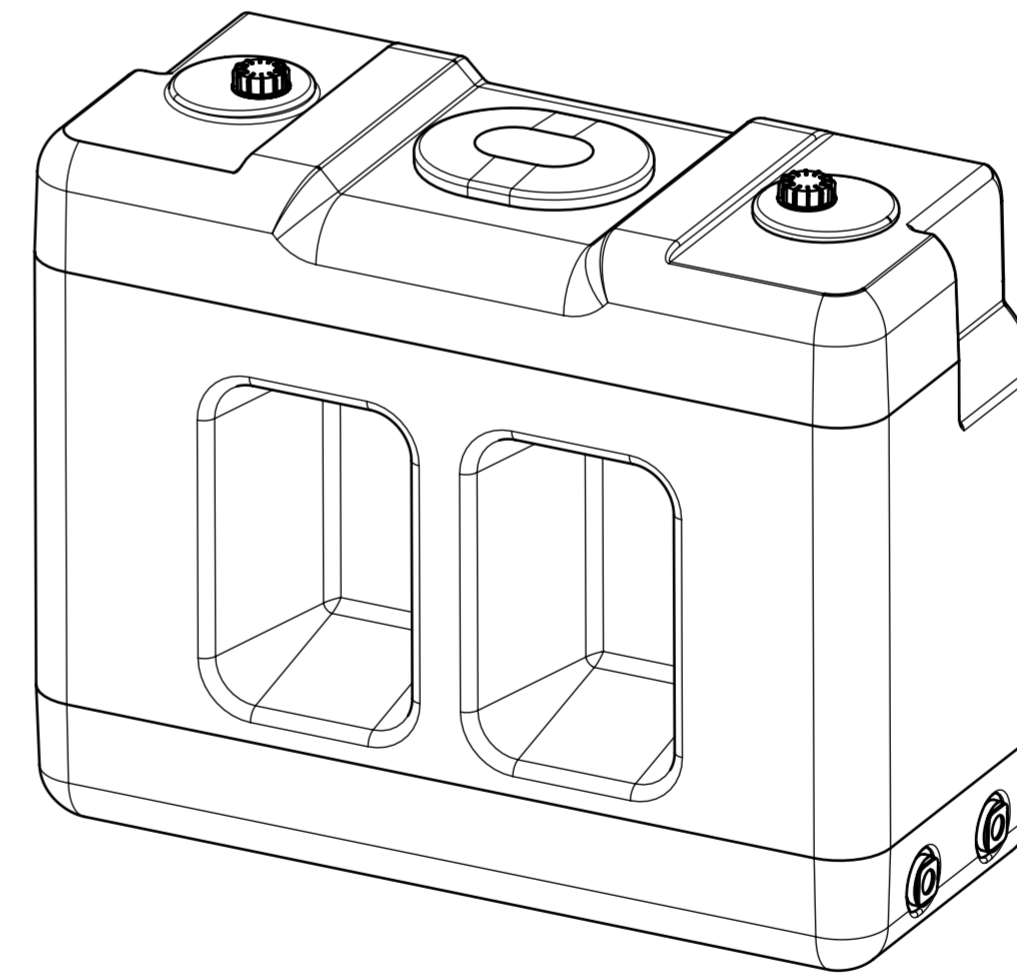
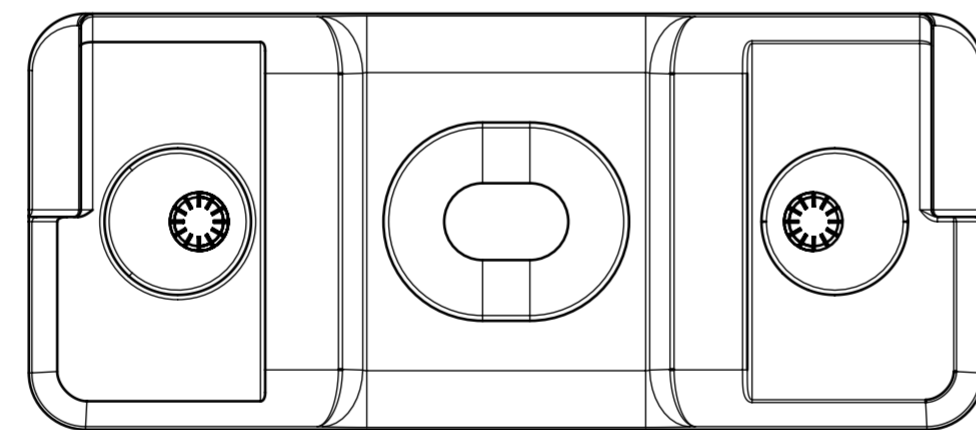
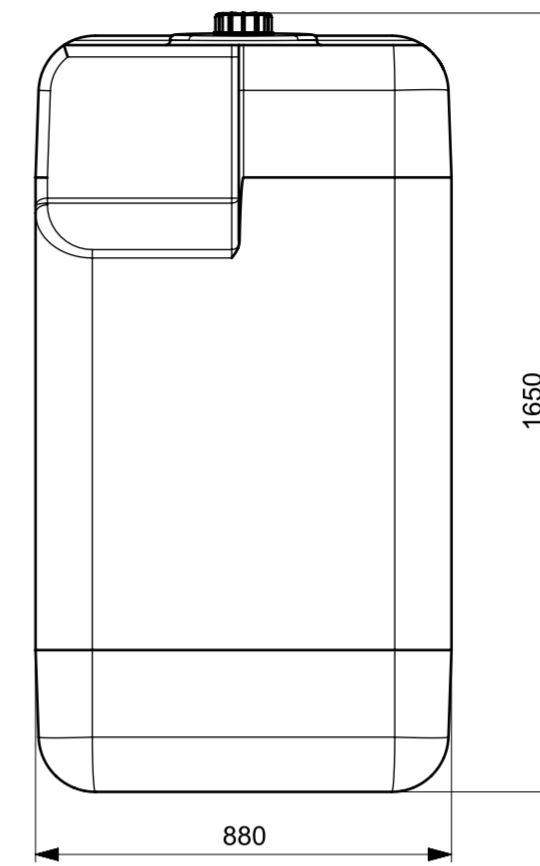
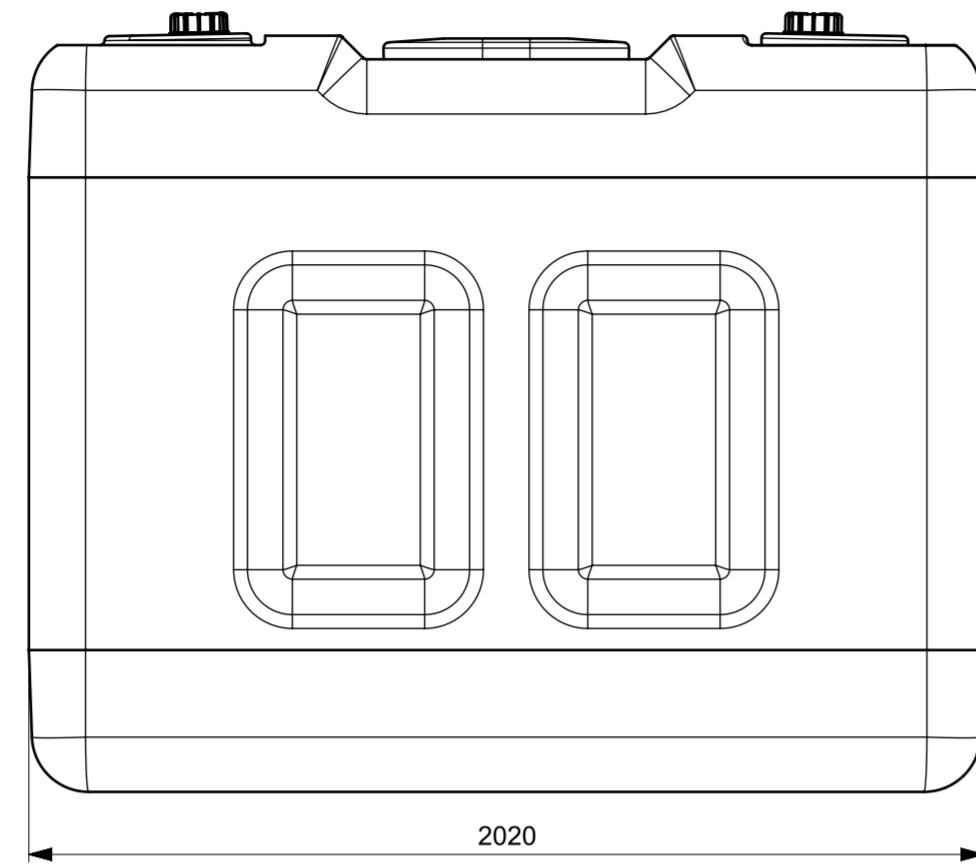
Linear tolerances	Surface roughness	Shape and positioning tolerances	Bend tolerances	Finishing
Drawing name				Material
STOCKAGETANK 1100L				LLDPE
Drawn by	Name	Date	Drawing number	Sheet 1 of 1
Approved by	unit : MM		STOCKAGETANK_1100_2D_0.01.prt	Scale 1 : 10
DS PLASTICS WATERTIGHT SOLUTIONS DS PLASTICS N.V. Mosten 18 9160 Lokeren T: +32 (0)9 280 78 80			All rights reserved. No parts of this concept may be reproduced in any form or by any means without the prior written permission of DS PLASTICS N.V.	



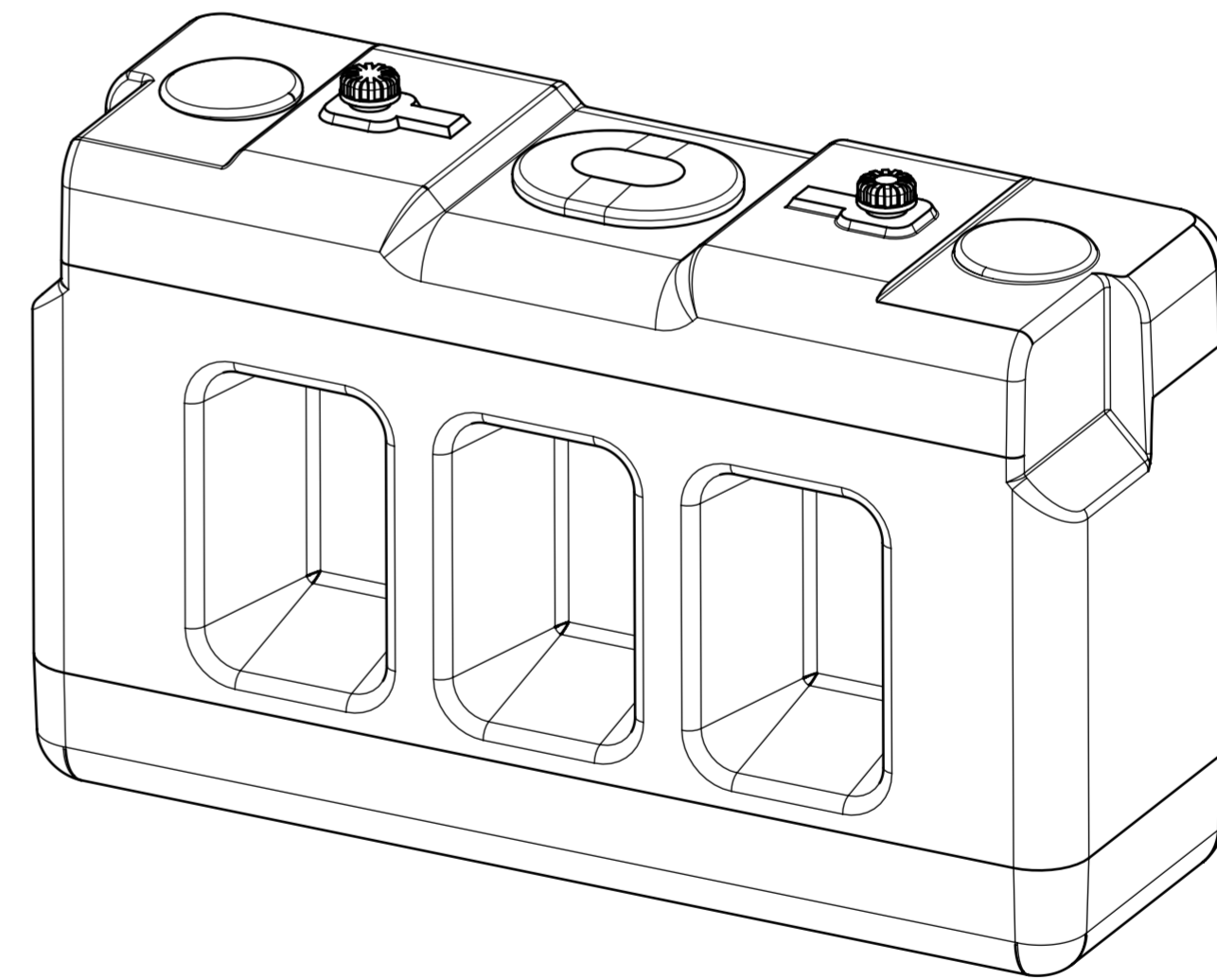
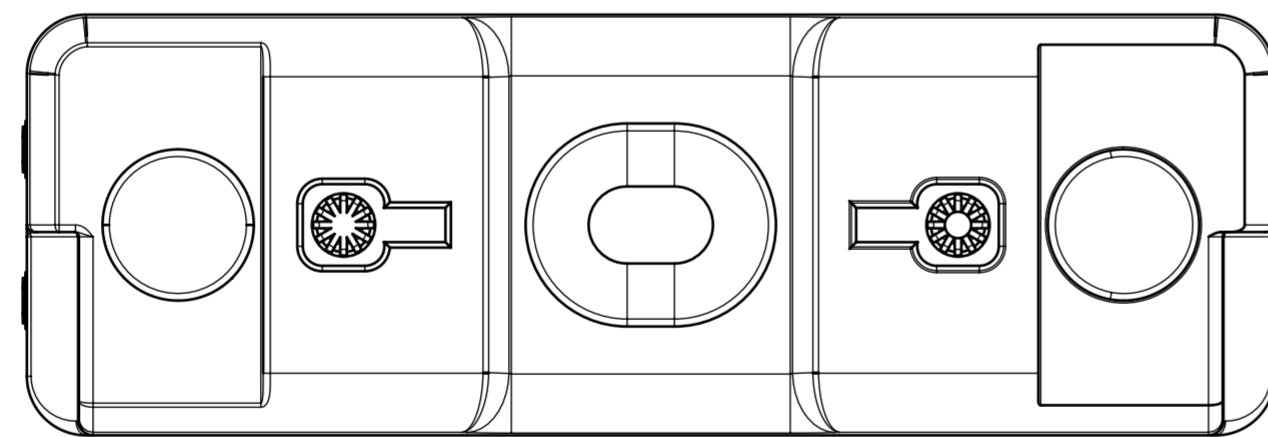
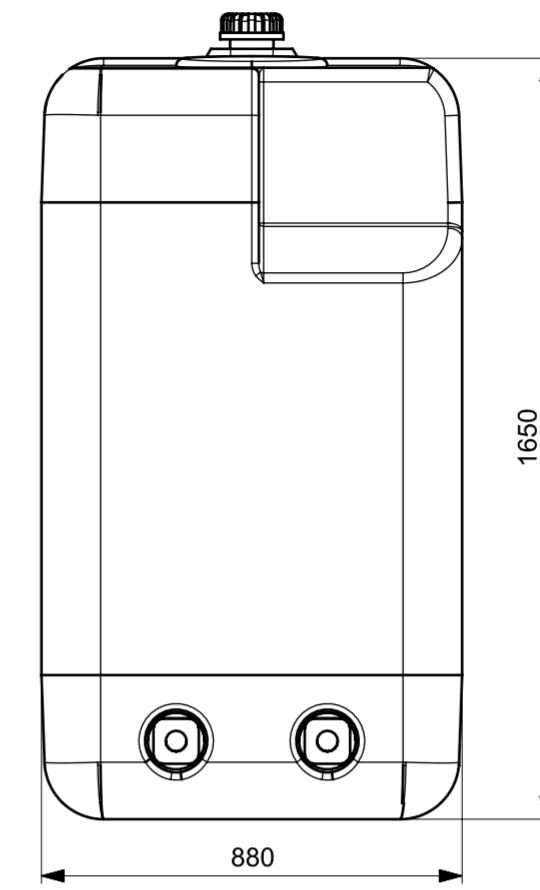
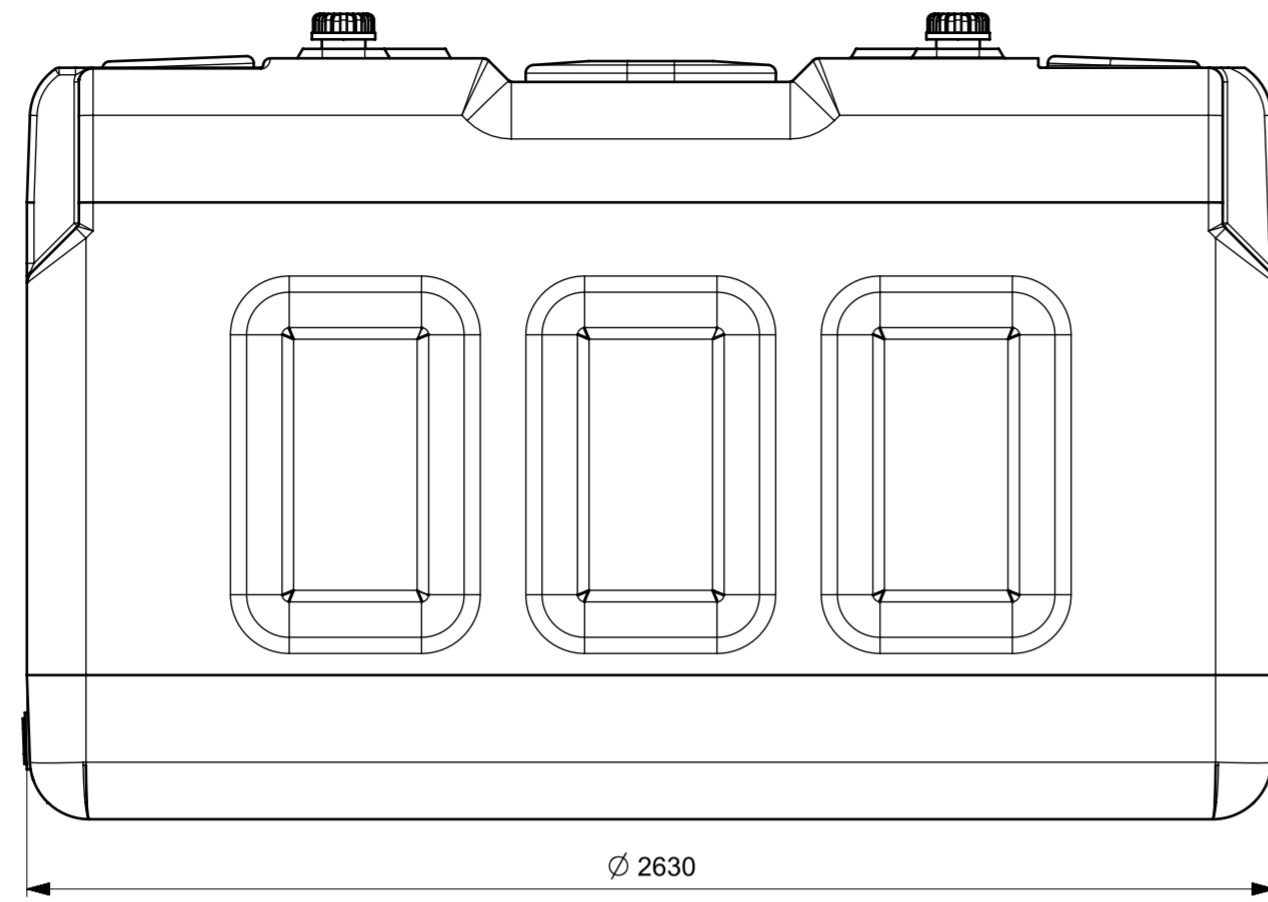
Linear tolerances	Surface roughness	Shape and positioning tolerances	Bend tolerances	Finishing
Drawing name				Material
STOCKAGETANK 1500L				LLDPE
Drawn by	Name	Date	Drawing number	Sheet 1 of 1
Approved by	unit : MM		STOCKAGETANK_1500_2D_0.01.prt	Scale 1 : 10
DS PLASTICS WATERTIGHT SOLUTIONS DS PLASTICS N.V. Mosten 18 9160 Lokeren T: +32 (0)9 280 78 80			All rights reserved. No parts of this concept may be reproduced in any form or by any means without the prior written permission of DS PLASTICS N.V.	



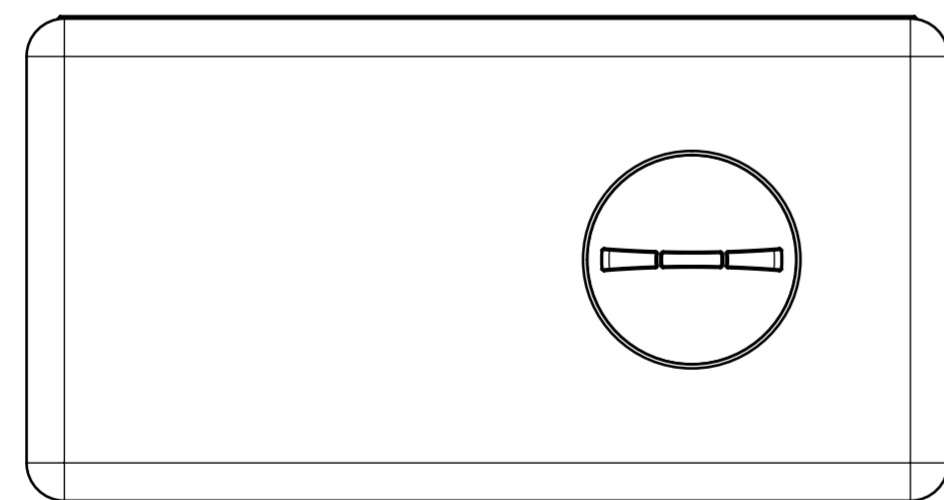
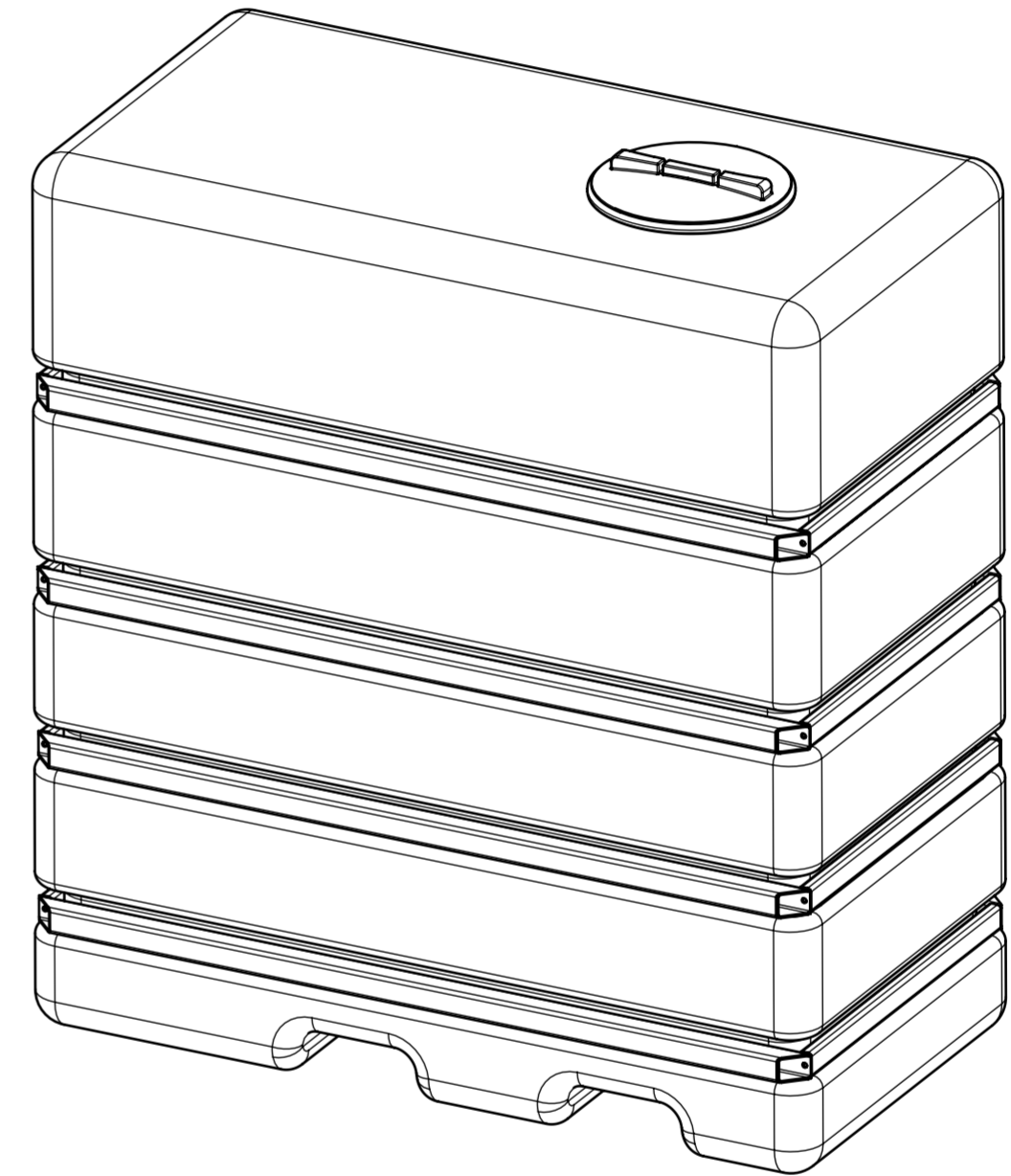
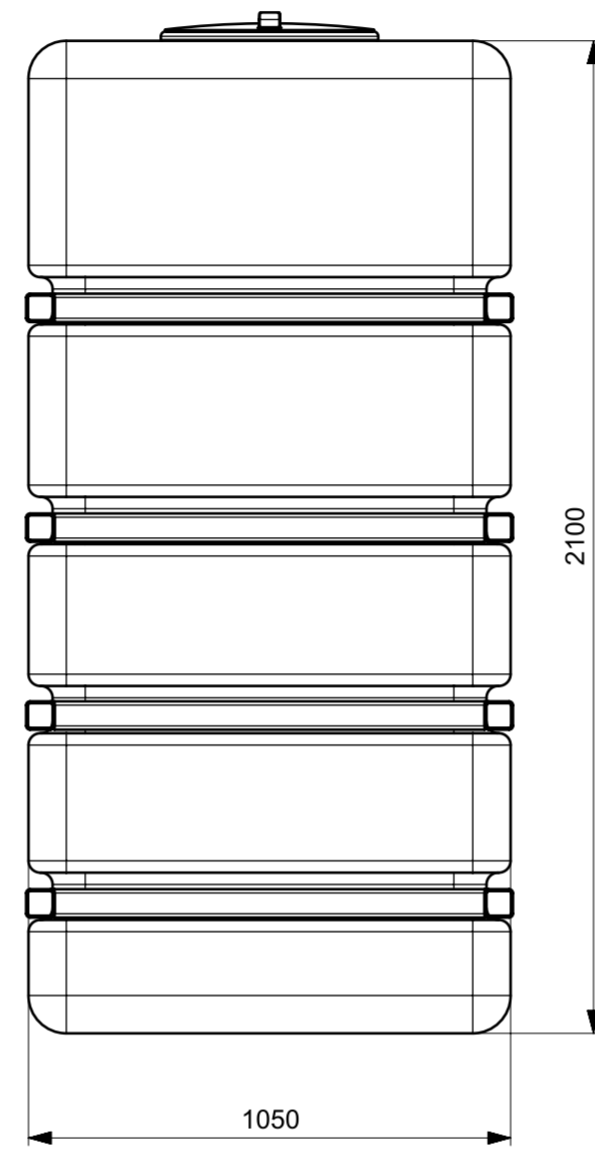
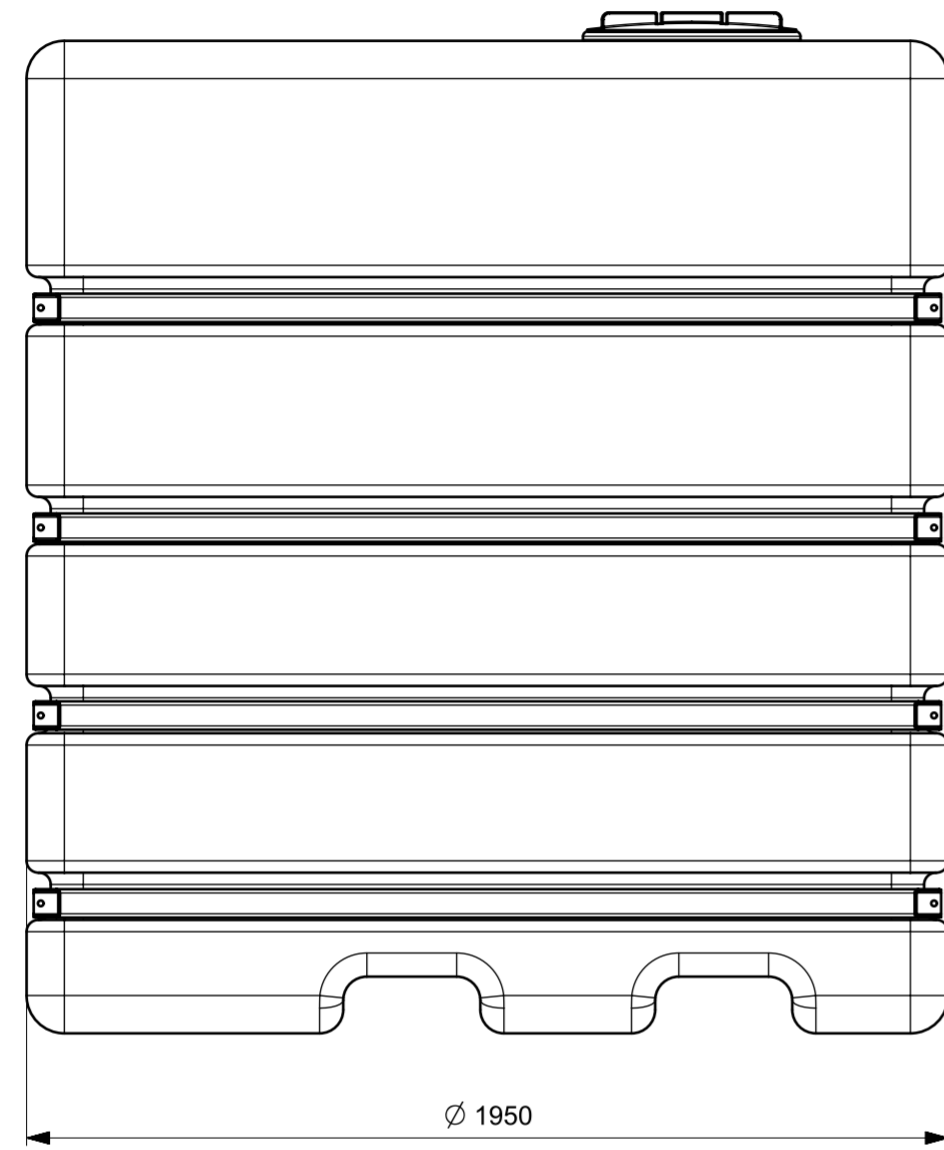
Linear tolerances	Surface roughness	Shape and positioning tolerances	Bend tolerances	Finishing
Drawing name				Material
STOCKAGETANK 2000L				LLDPE
Drawn by	Name	Date	Drawing number	Sheet 1 of 1
Approved by			unit : MM	Scale 1 : 16
DS PLASTICS WATERTIGHT SOLUTIONS			DS PLASTICS N.V. Mosten 18 9160 Lokeren T: +32 (0)9 280 78 80	All rights reserved. No parts of this concept may be reproduced in any form or by any means without the prior written permission of DS PLASTICS N.V.



Linear tolerances	Surface roughness	Shape and positioning tolerances	Bend tolerances	Finishing
Drawing name				Material
STOCKAGETANK 2000L				LLDPE
Drawn by	Name	Date	Drawing number	Sheet 1 of 1
Approved by	unit : MM		STOCKAGETANK_2000_2D_0.01.prt	Scale 1 : 16
DS PLASTICS WATERTIGHT SOLUTIONS DS PLASTICS N.V. Mosten 18 9160 Lokeren T: +32 (0)9 280 78 80			All rights reserved. No parts of this concept may be reproduced in any form or by any means without the prior written permission of DS PLASTICS N.V.	



Linear tolerances	Surface roughness	Shape and positioning tolerances	Bend tolerances	Finishing
Drawing name				Material
STOCKAGETANK 3000L				LLDPE
Drawn by	Name	Date	Drawing number	Sheet 1 of 1
Approved by			2064_STOCKAGETANK_3000_2D_1.01.prt	Scale 1 : 16
			unit : MM	Format A2
DS PLASTICS WATERTIGHT SOLUTIONS			DS PLASTICS N.V. Mosten 18 9160 Lokeren T: +32 (0)9 280 78 80	All rights reserved. No parts of this concept may be reproduced in any form or by any means without the prior written permission of DS PLASTICS N.V.



Linear tolerances	Surface roughness	Shape and positioning tolerances	Bend tolerances	Finishing
Drawing name				Material
STOCKAGETANK 4000L				LLDPE
Drawn by	Name	Date	Drawing number	Sheet 1 of 1
Approved by			5190_STOCKAGETANK_4000_2D_1.01.prt	Scale 1 : 16
			unit : MM	Format A2
DS PLASTICS WATERTIGHT SOLUTIONS			DS PLASTICS N.V. Mosten 18 9160 Lokeren T: +32 (0)9 280 78 80	All rights reserved. No parts of this concept may be reproduced in any form or by any means without the prior written permission of DS PLASTICS N.V.