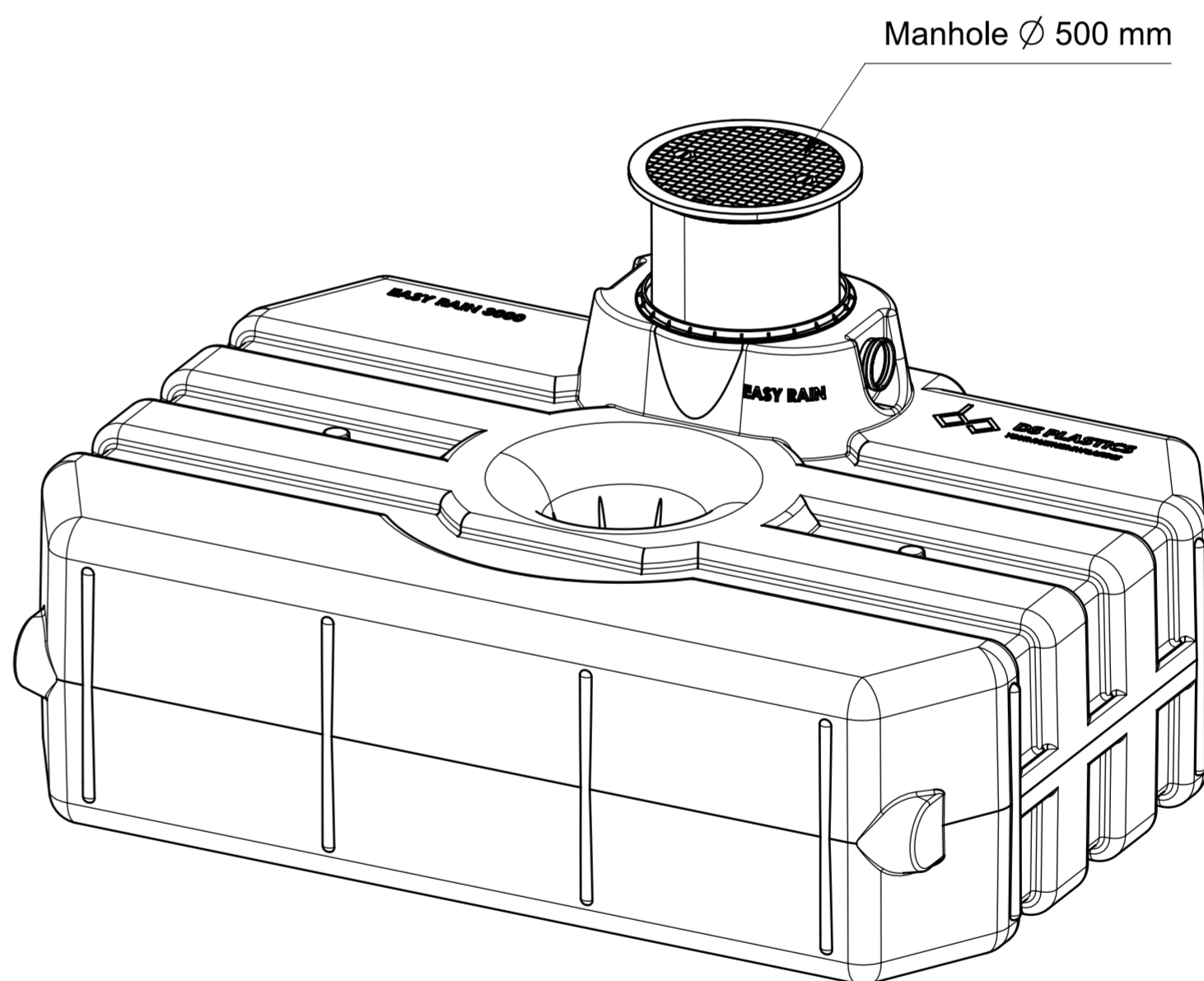
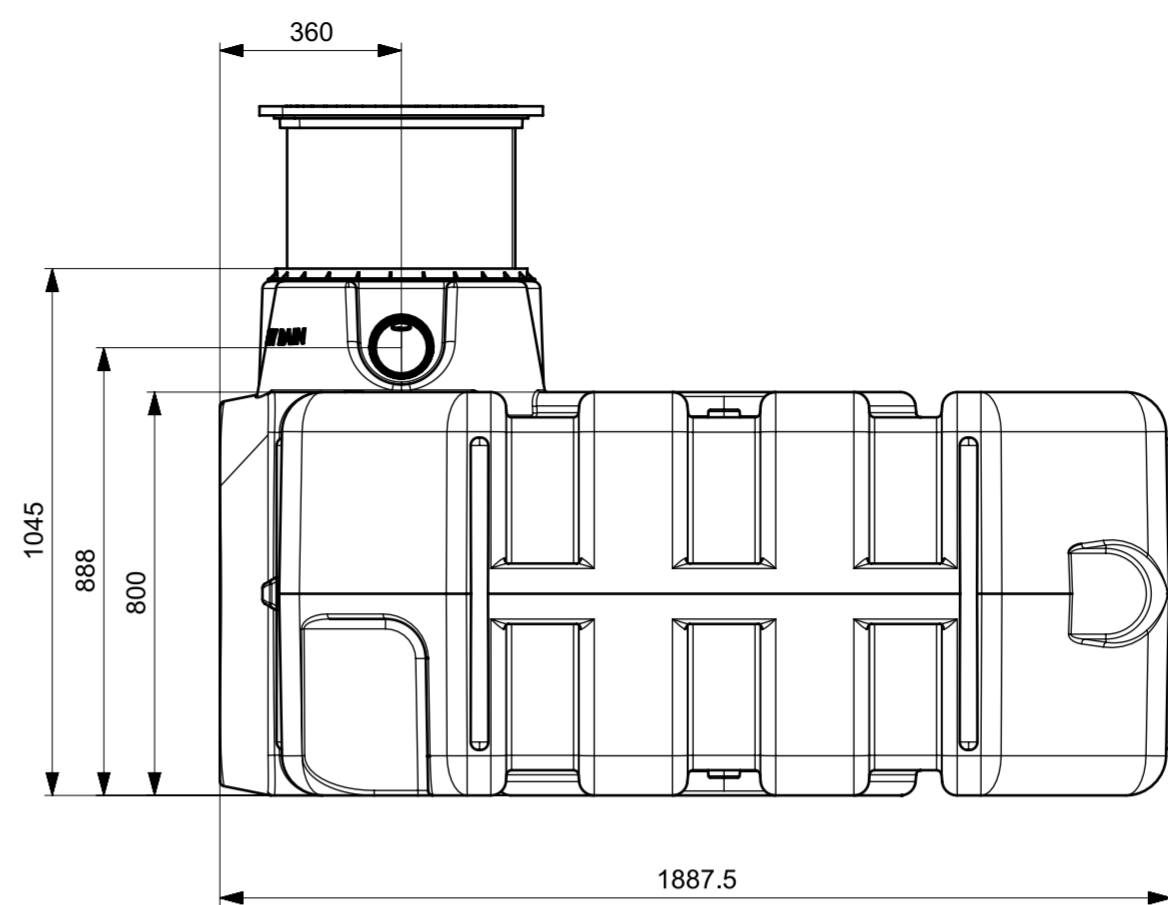
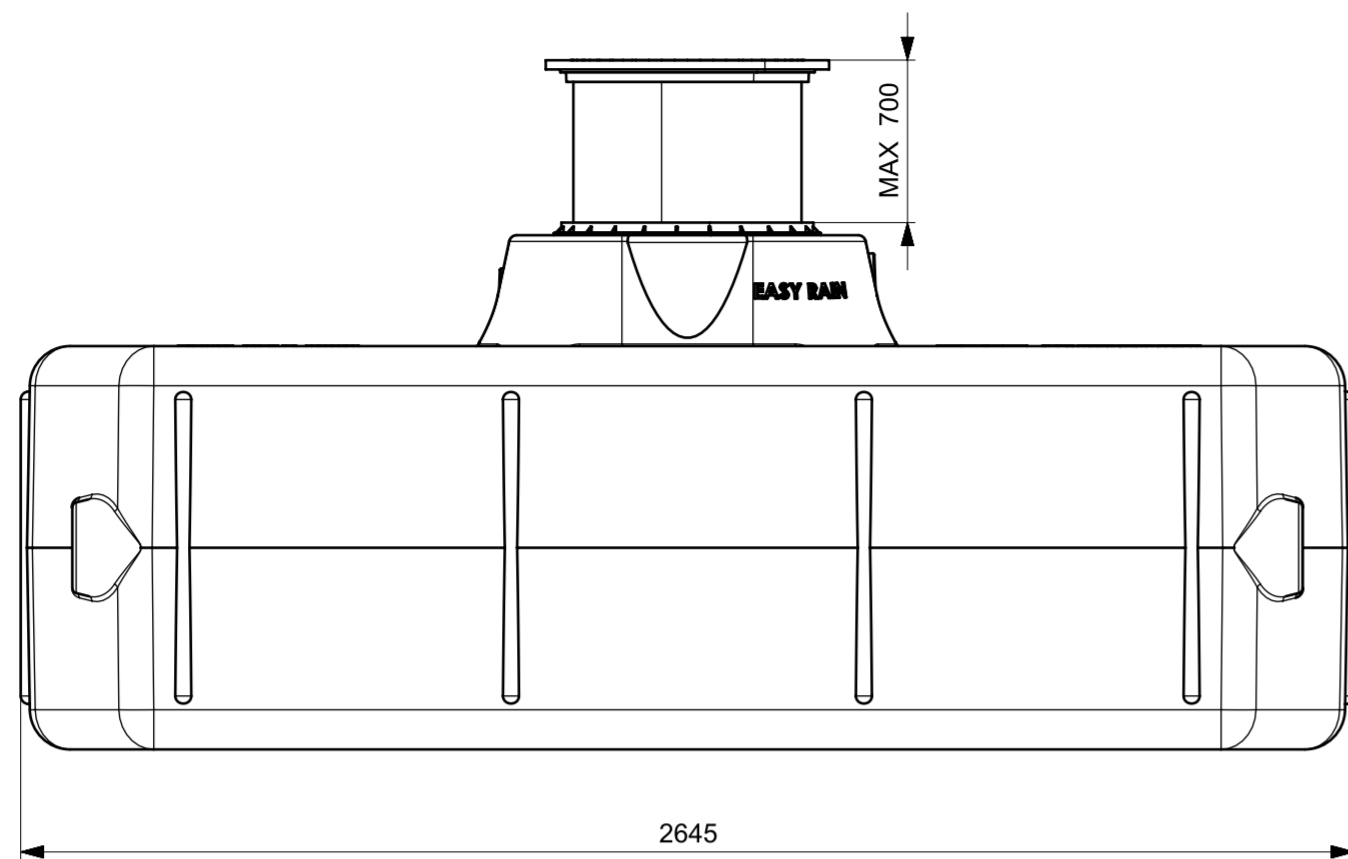
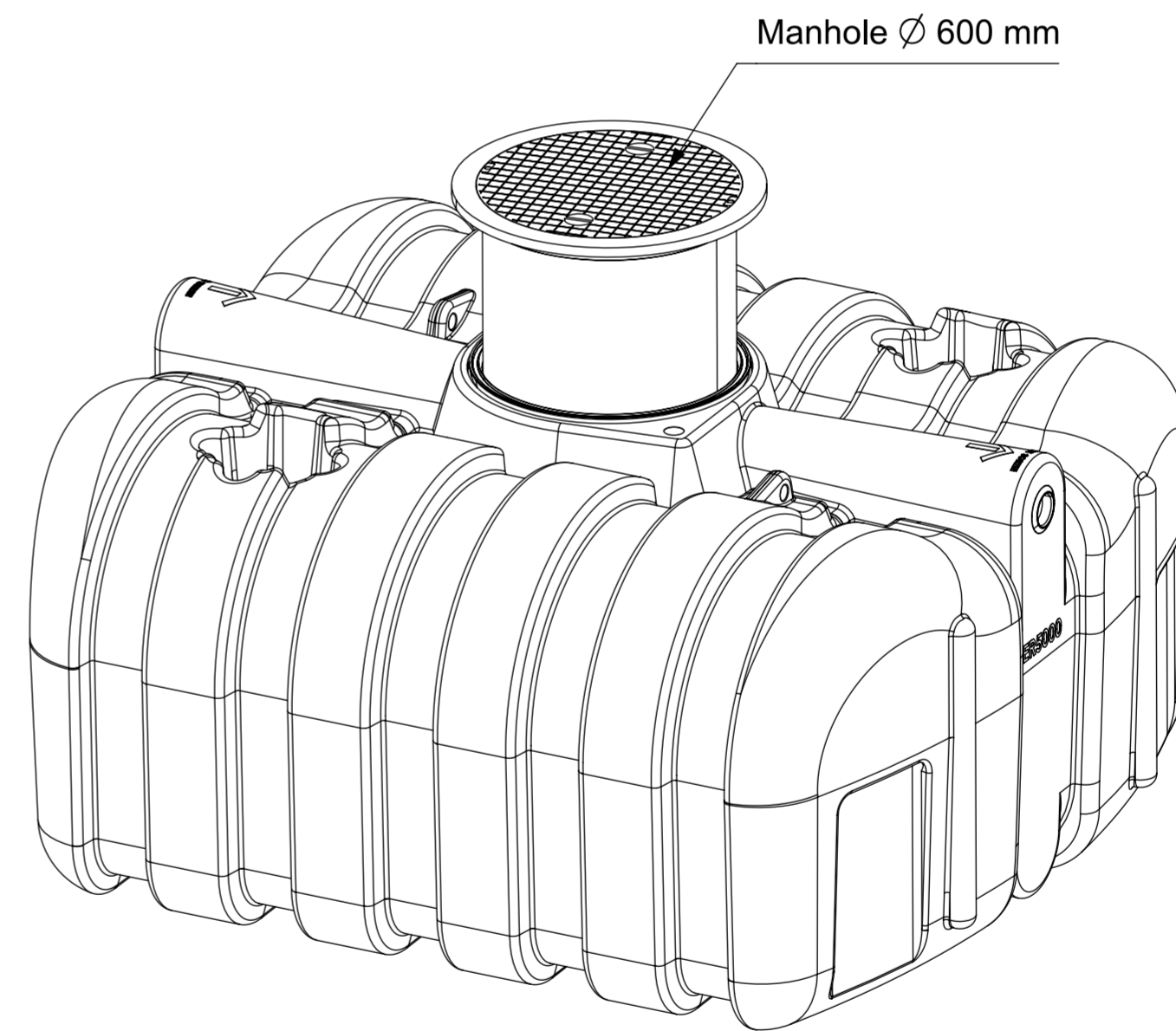
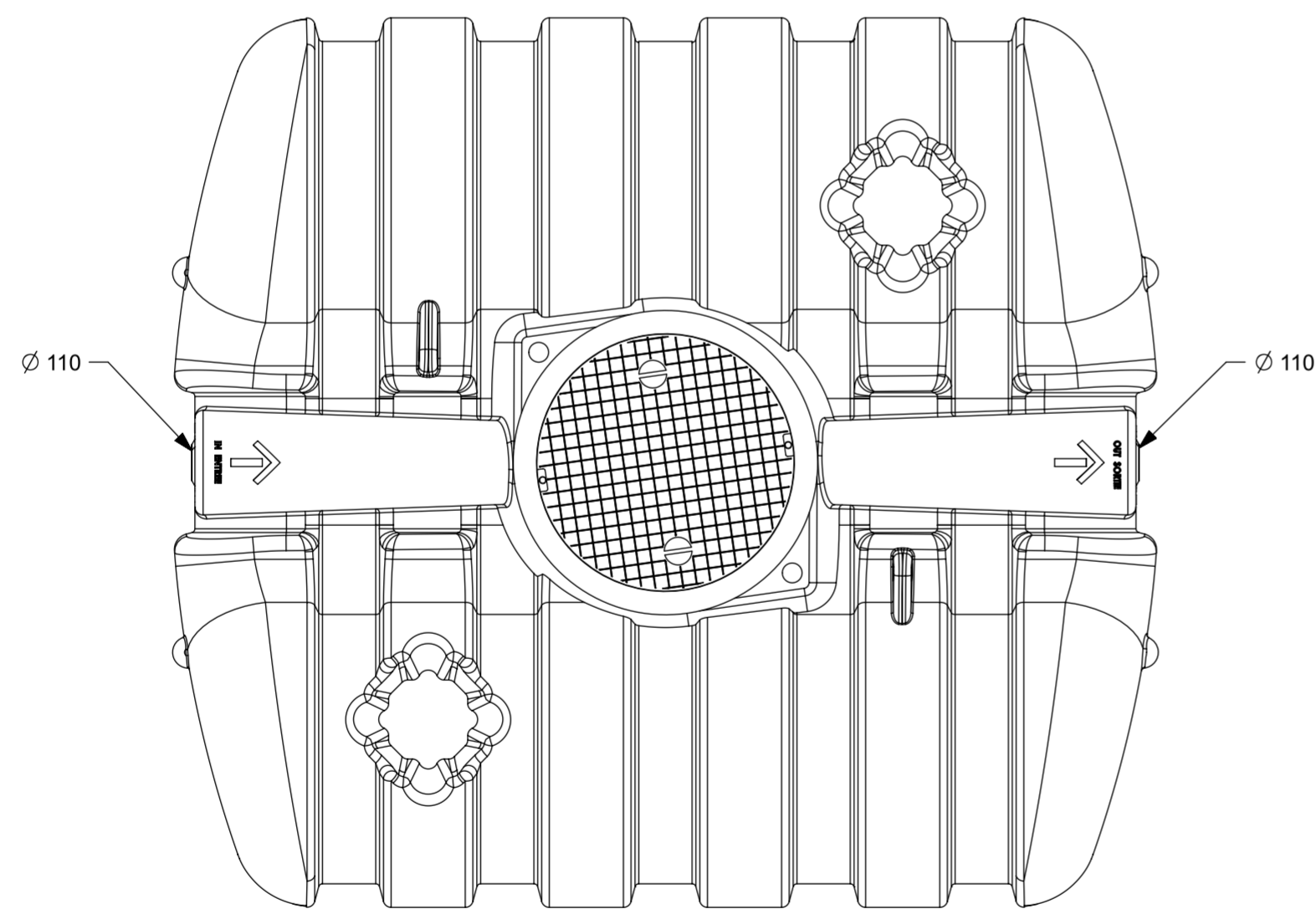
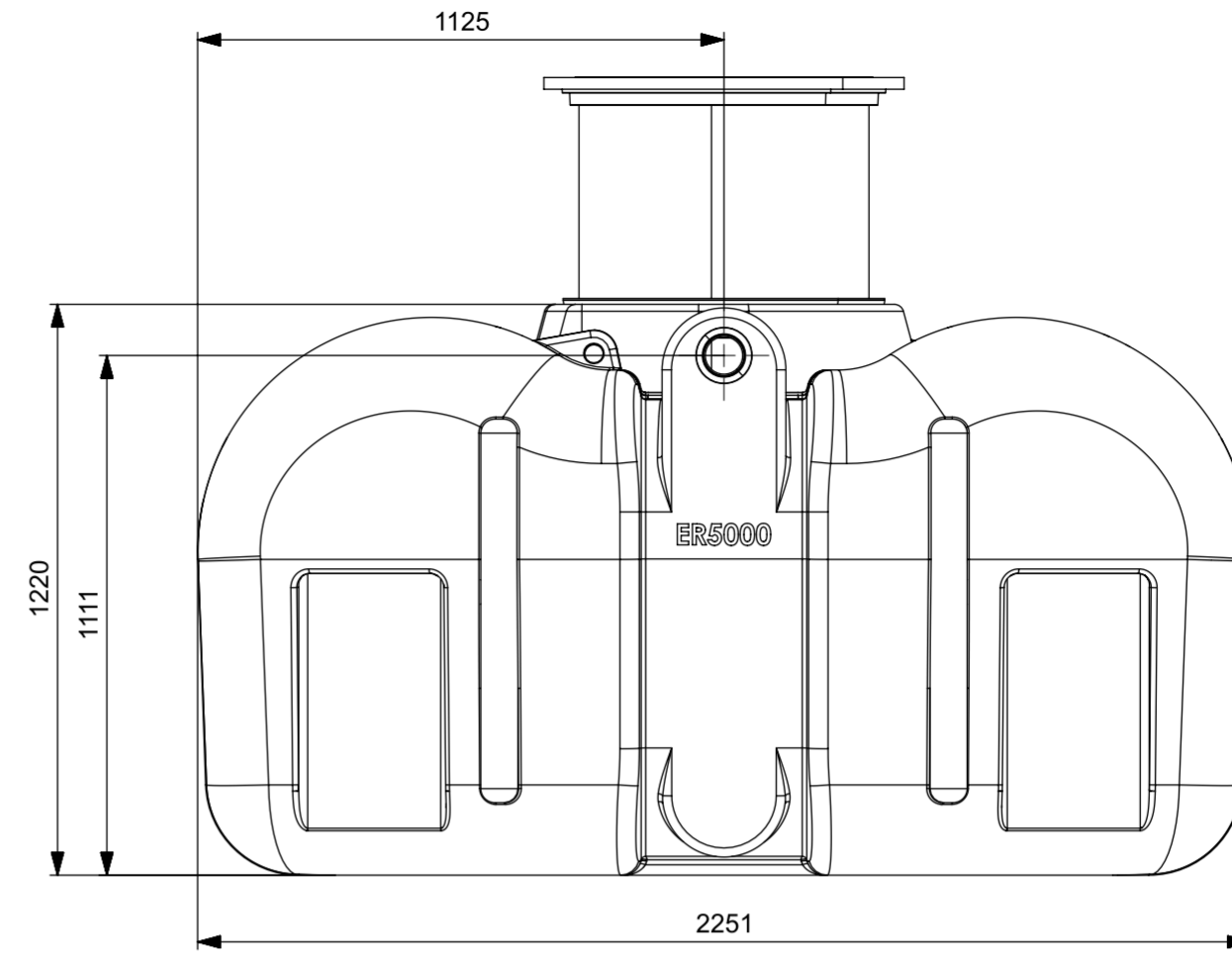
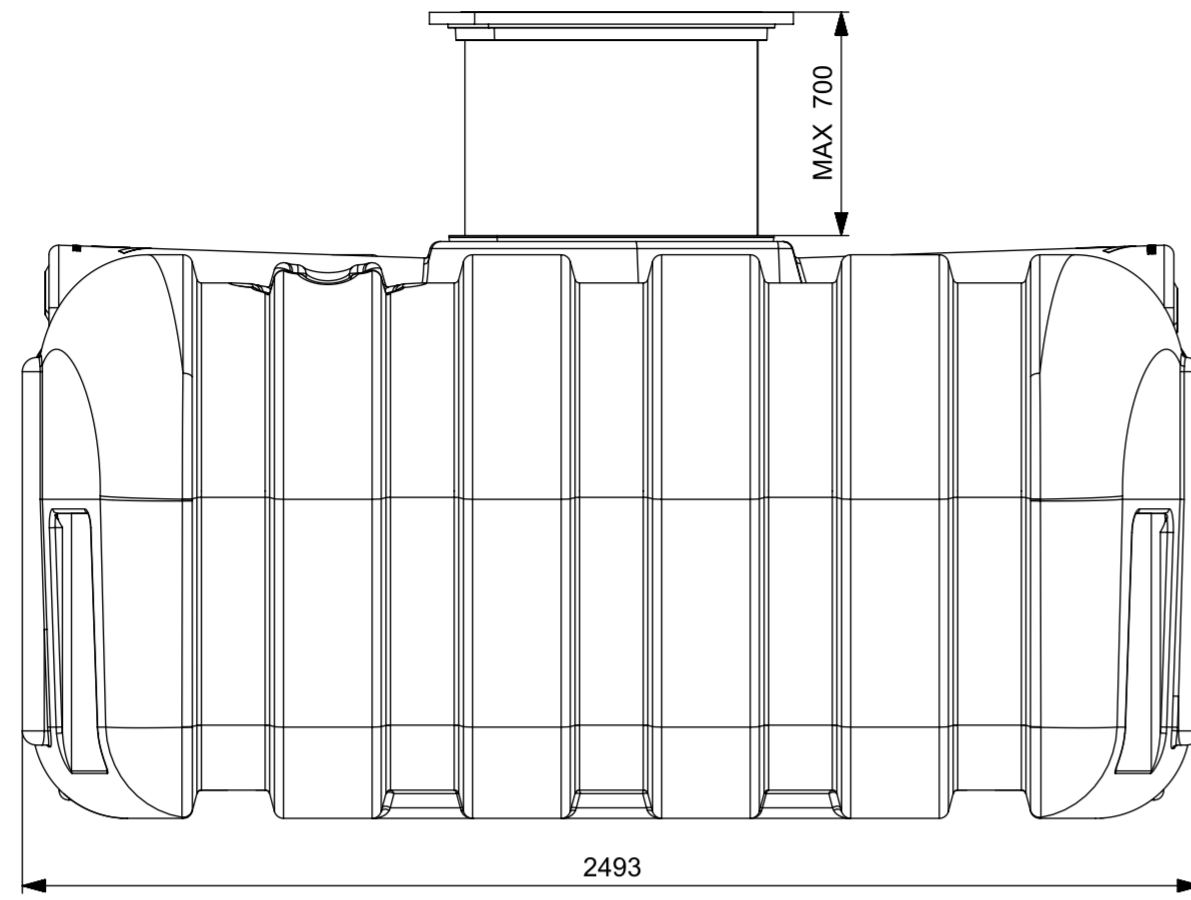


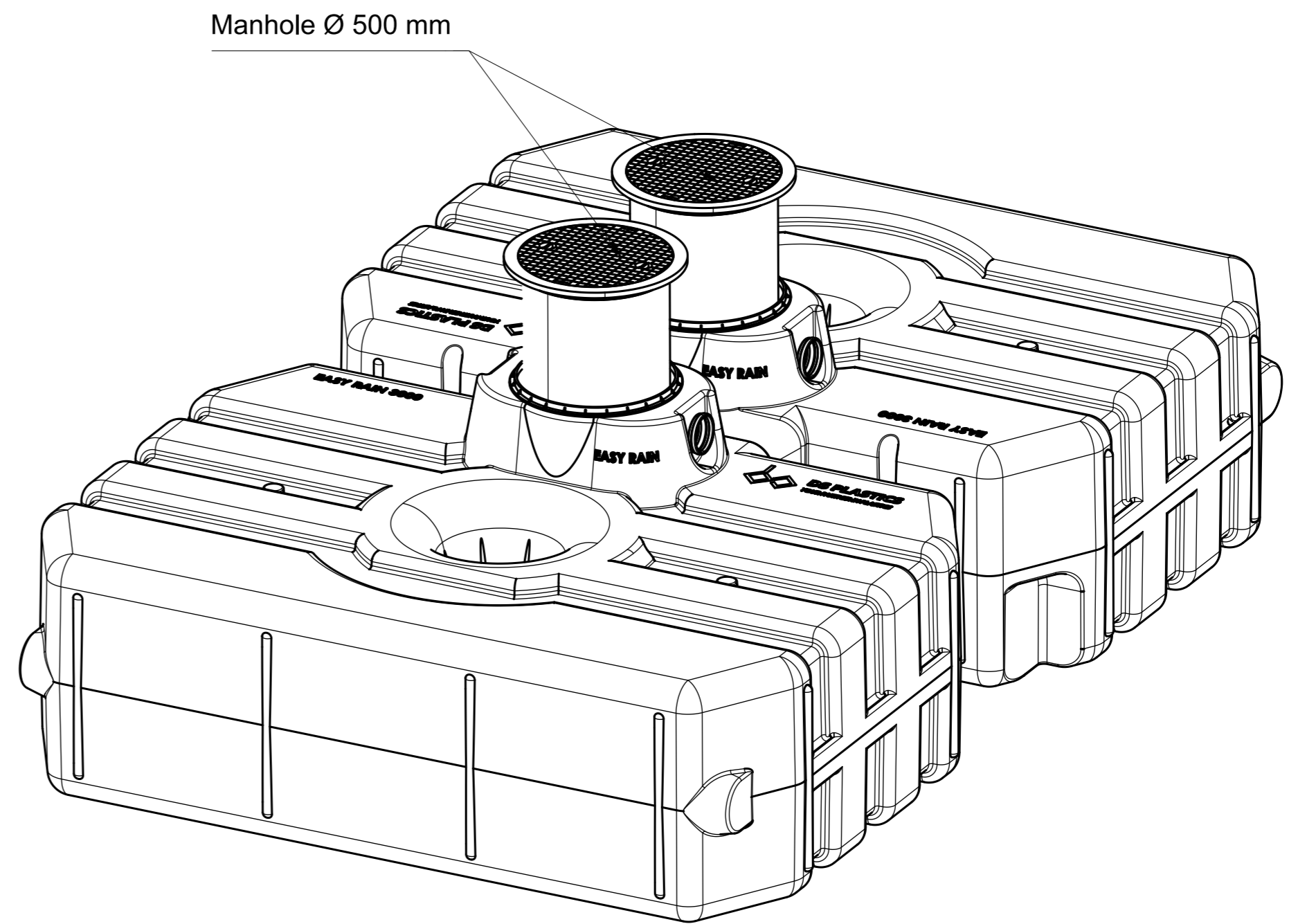
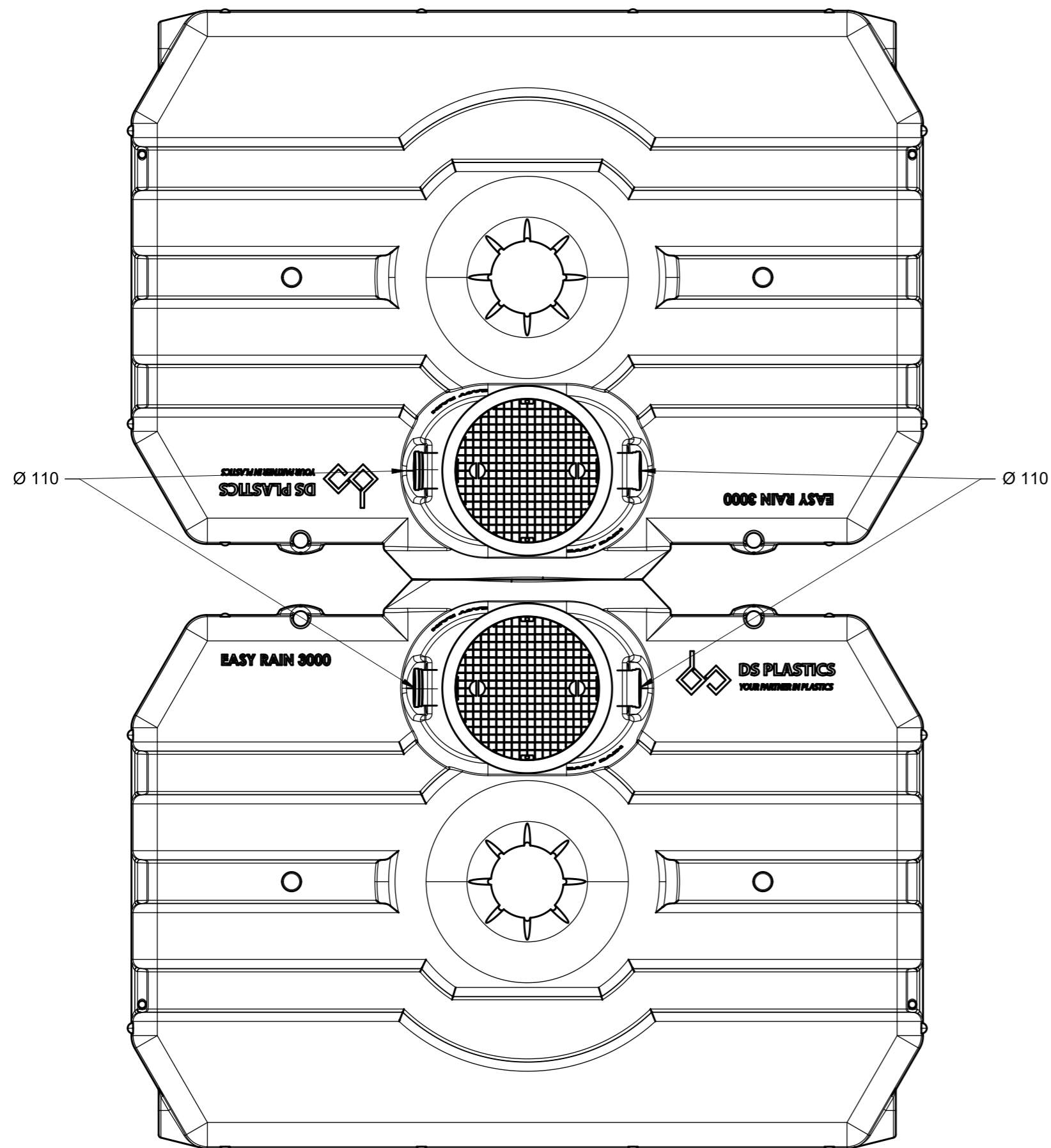
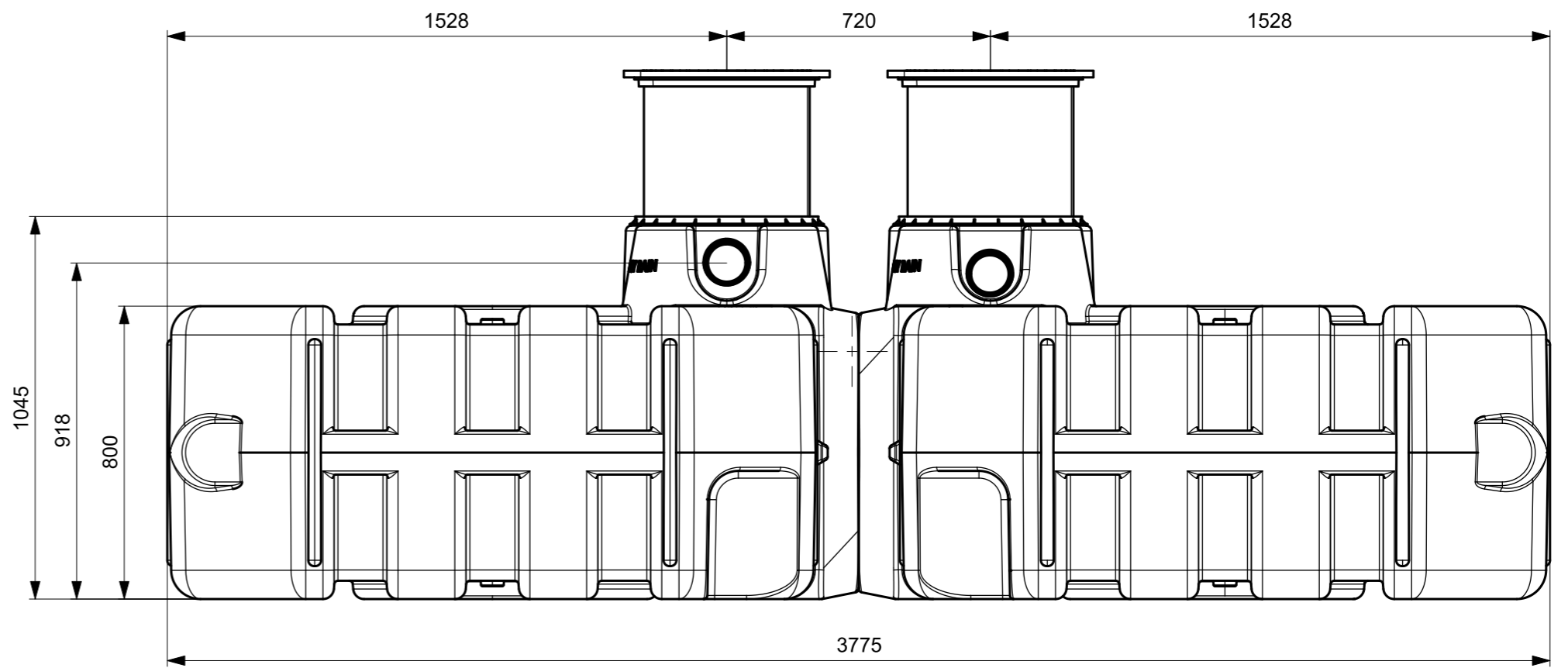
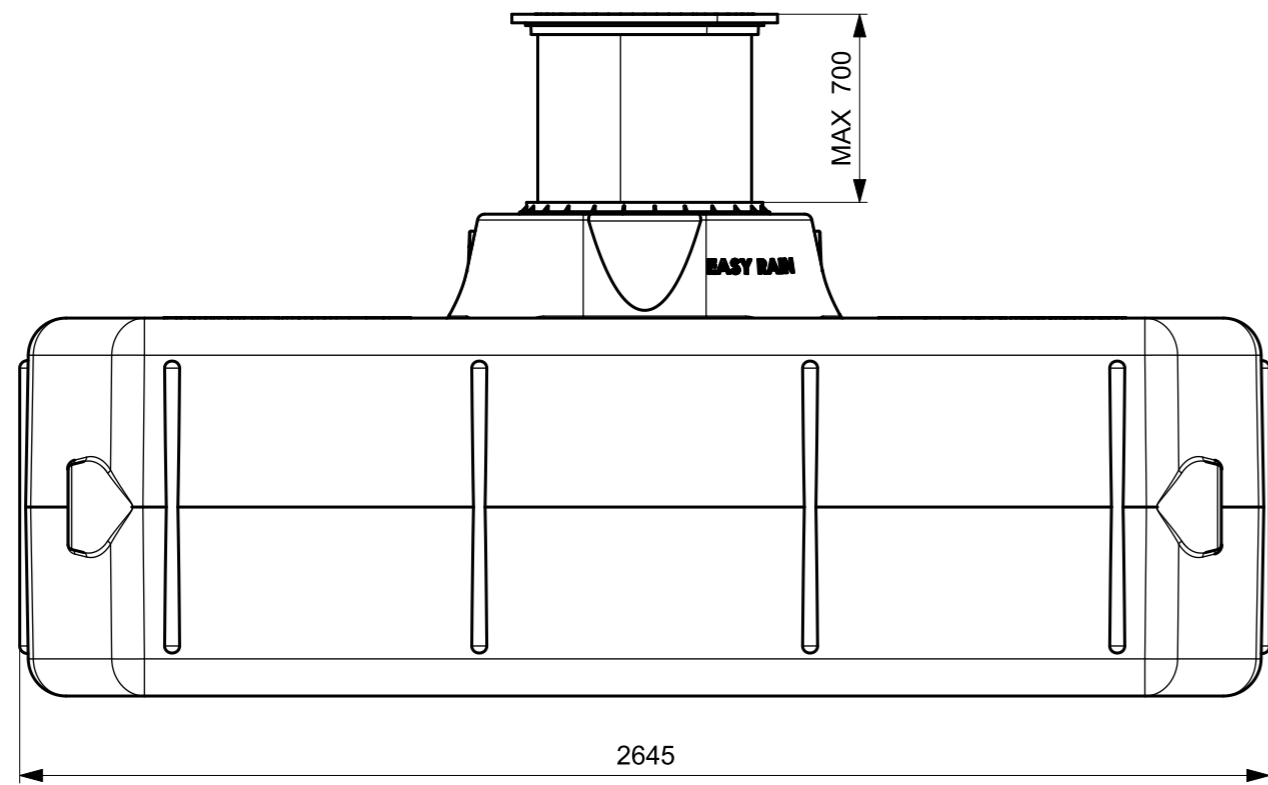
Linear tolerances	Surface roughness	Shape and positioning tolerances	Bend tolerances	Finishing
Drawing name				Material
EASY RAIN 1500L				LLDPE
Drawn by	Name	Date	Drawing number	Sheet 1 of 1
Approved by	unit : MM		EASY_RAIN_1500L_2D_0.01.prt	Scale 1 : 12
DS PLASTICS WATERTIGHT SOLUTIONS DS PLASTICS N.V. Mosten 18 9160 Lokeren T: +32 (0)9 280 78 80			All rights reserved. No parts of this concept may be reproduced in any form or by any means without the prior written permission of DS PLASTICS N.V.	



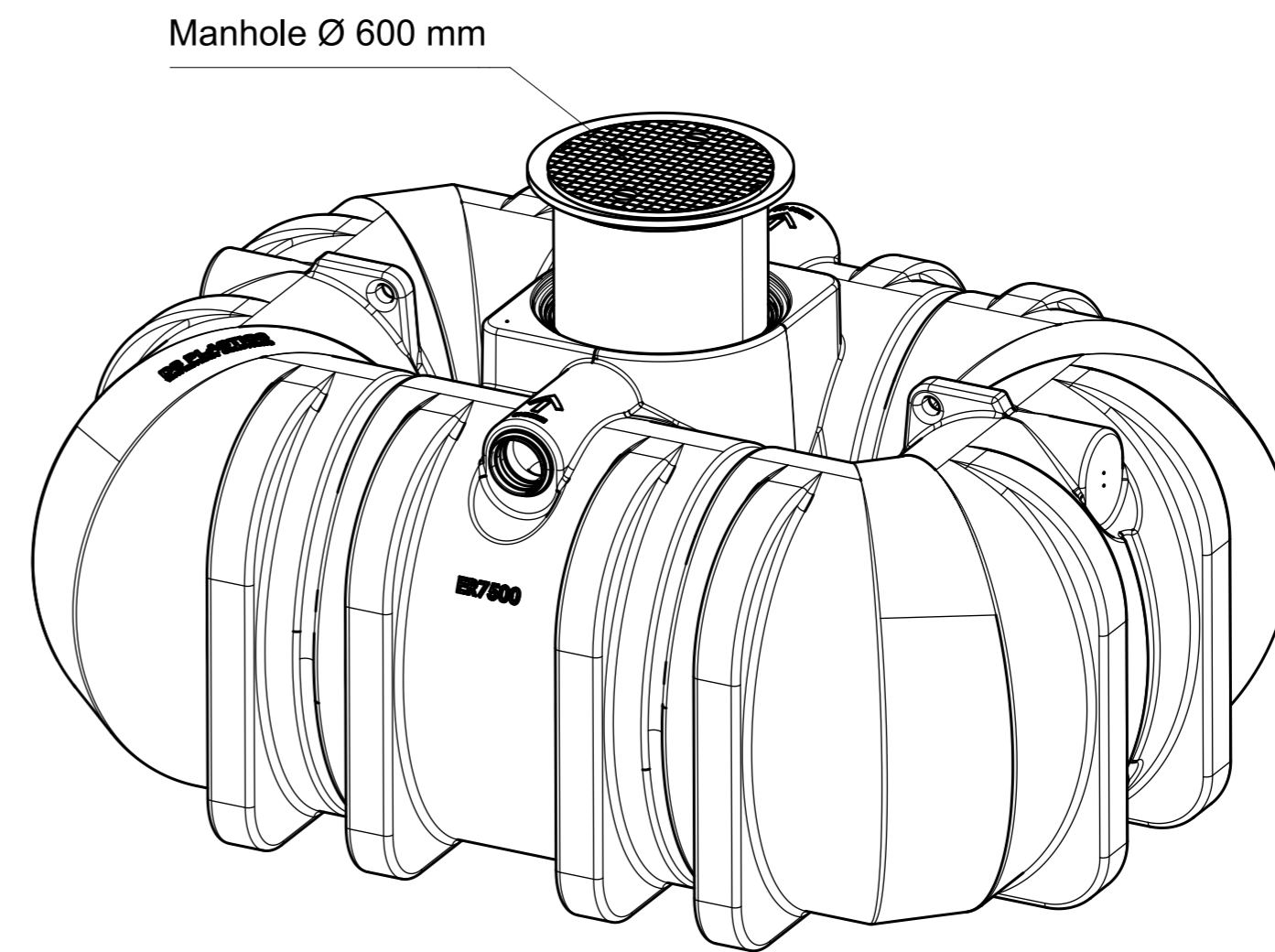
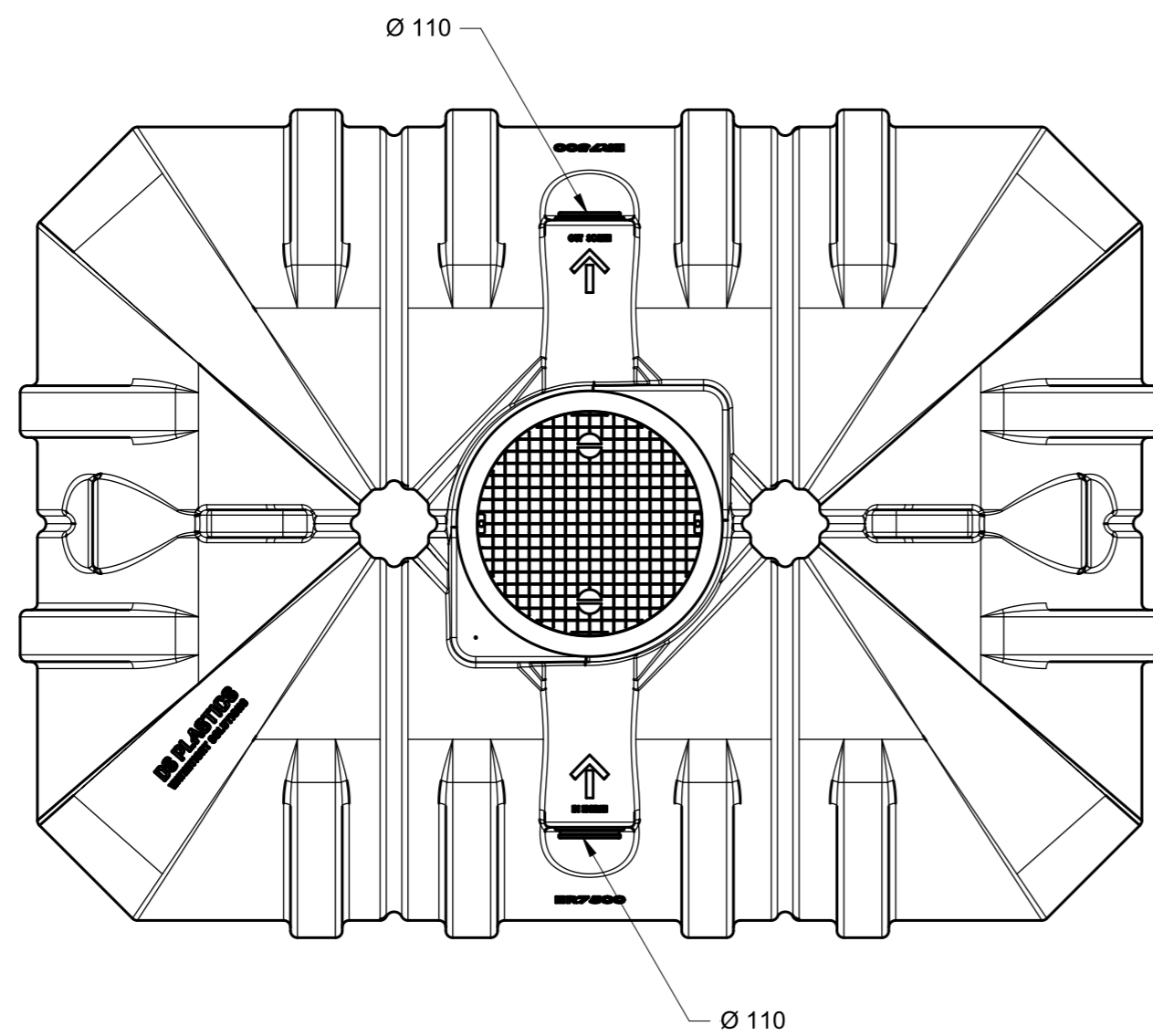
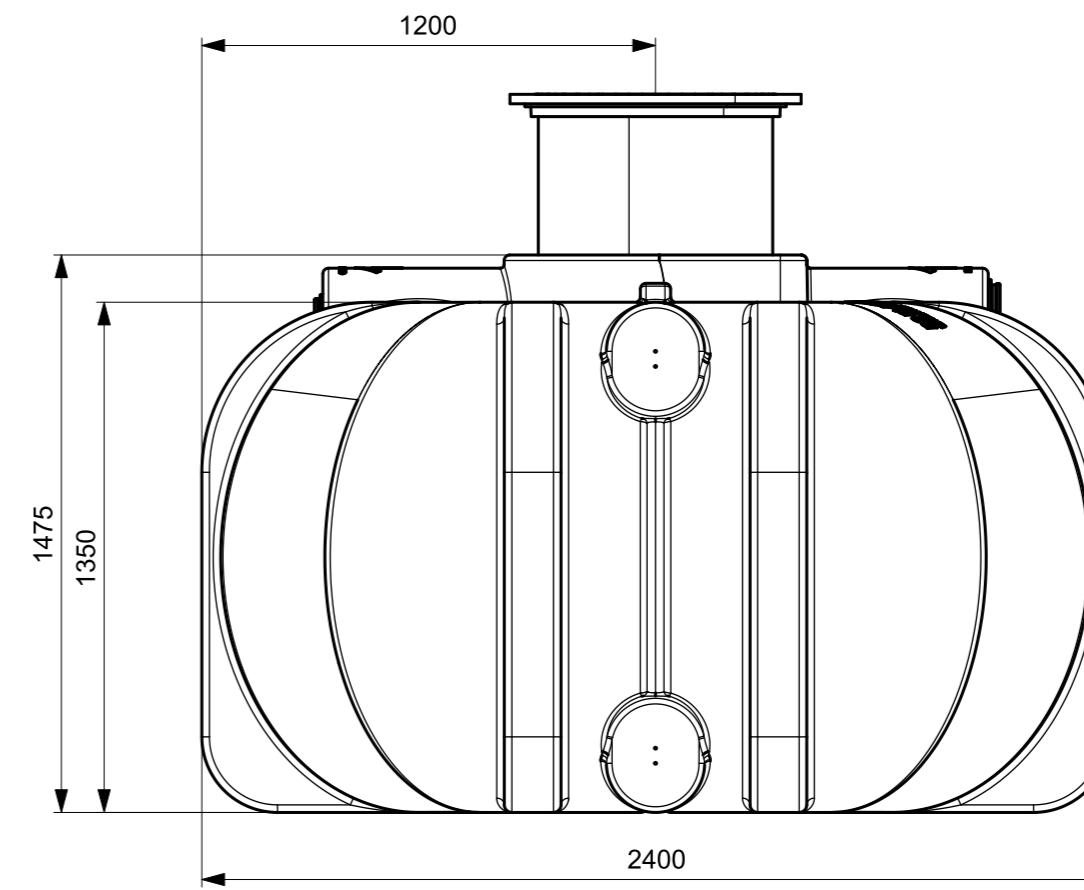
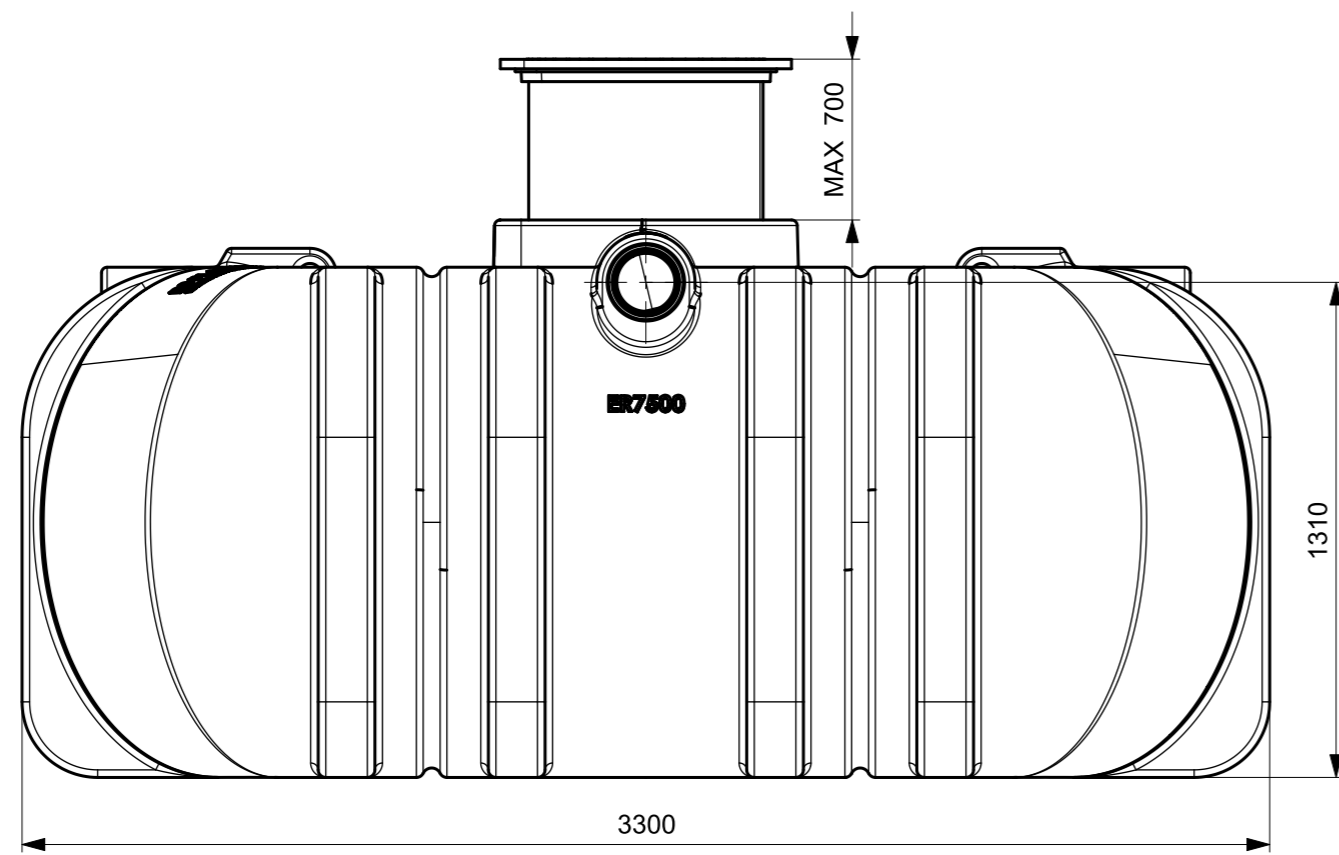
Linear tolerances	Surface roughness	Shape and positioning tolerances	Bend tolerances	Finishing
Drawing name				Material
EASY RAIN 3000L				LLDPE
Drawn by	Name	Date	Drawing number	Sheet 1 of 1
Approved by	unit : MM		EASY_RAIN_3000L_2D_0.01.prt	Scale 1 : 15
DS PLASTICS WATERTIGHT SOLUTIONS DS PLASTICS N.V. Mosten 18 9160 Lokeren T: +32 (0)9 280 78 80			All rights reserved. No parts of this concept may be reproduced in any form or by any means without the prior written permission of DS PLASTICS N.V.	



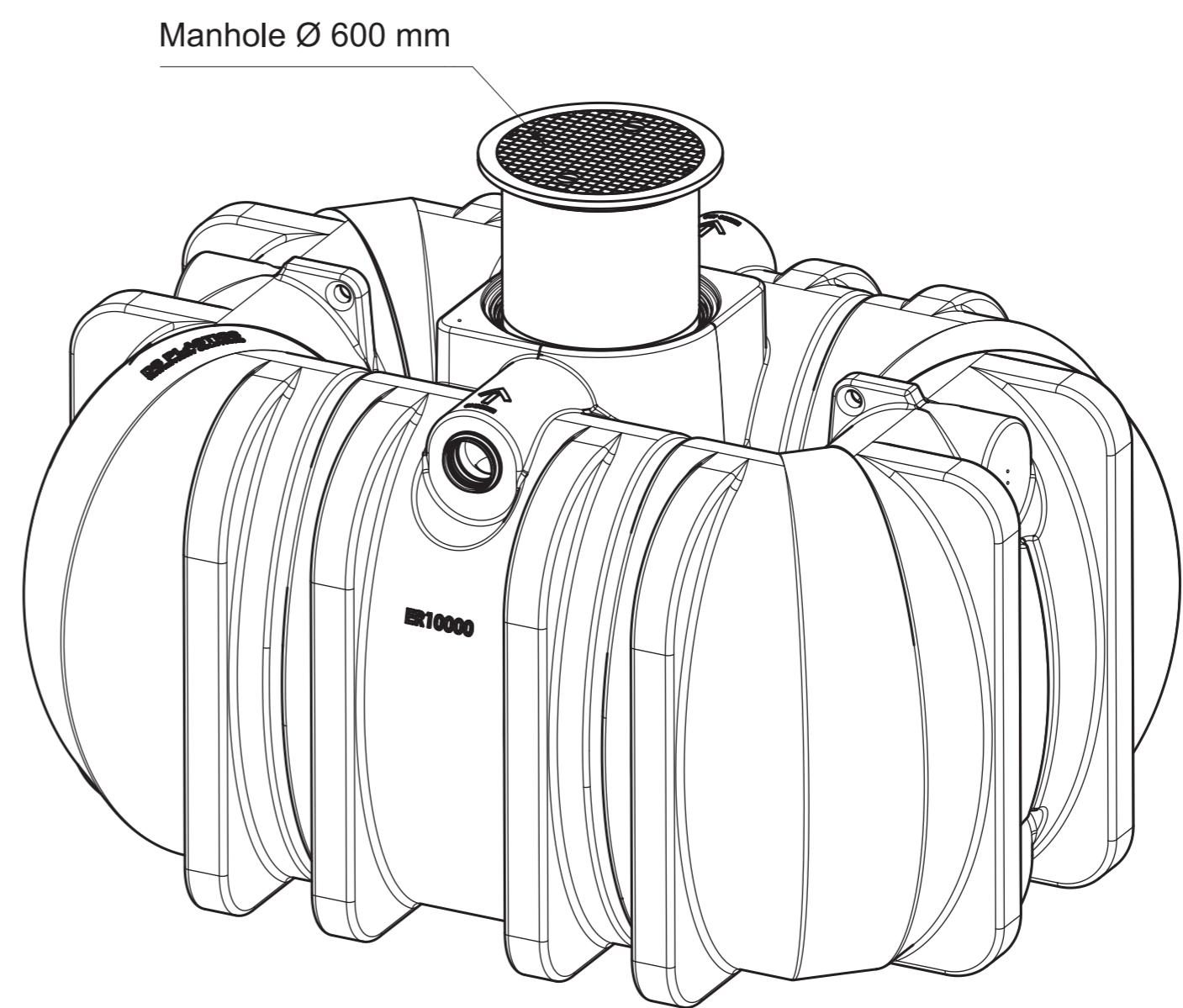
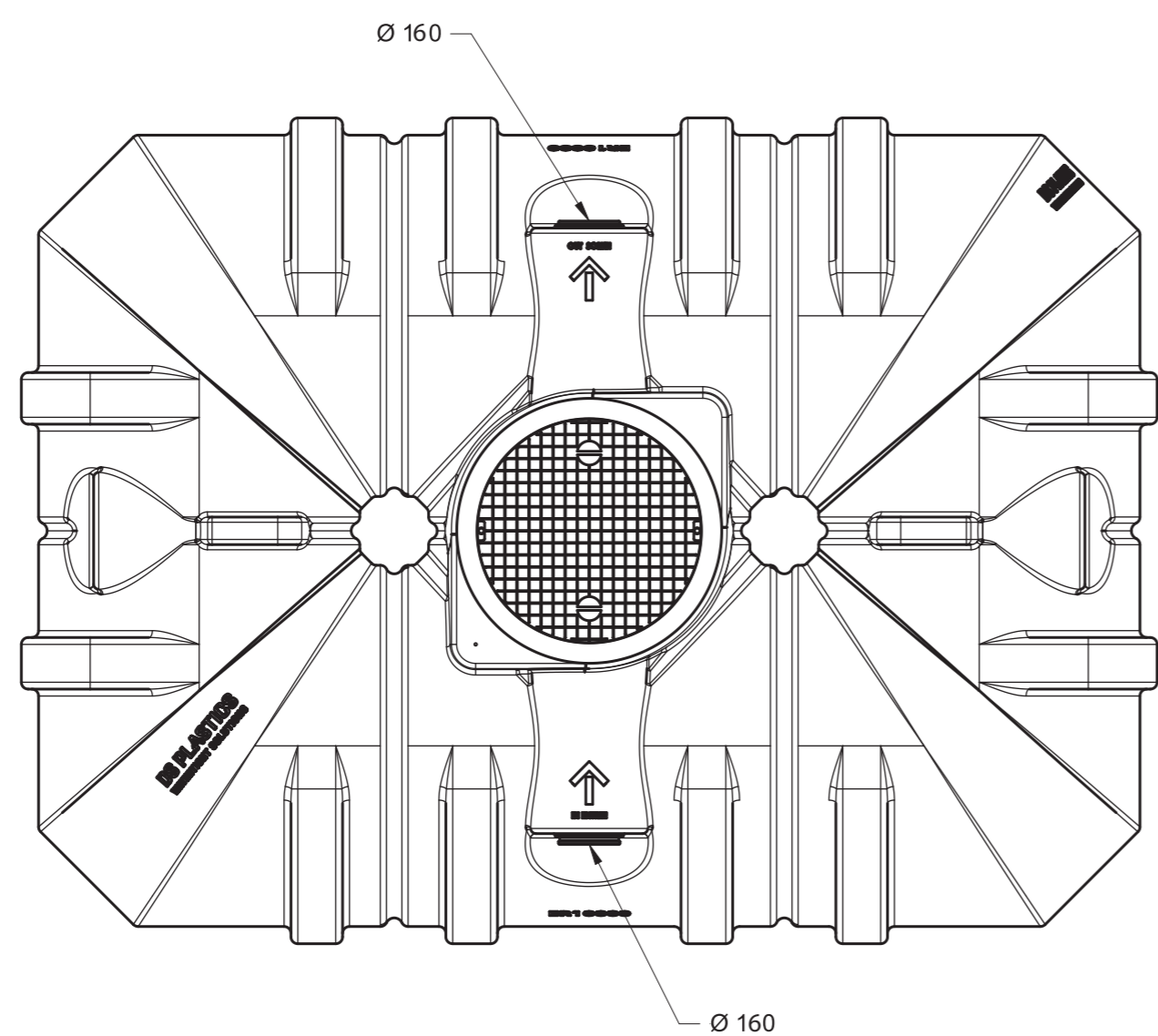
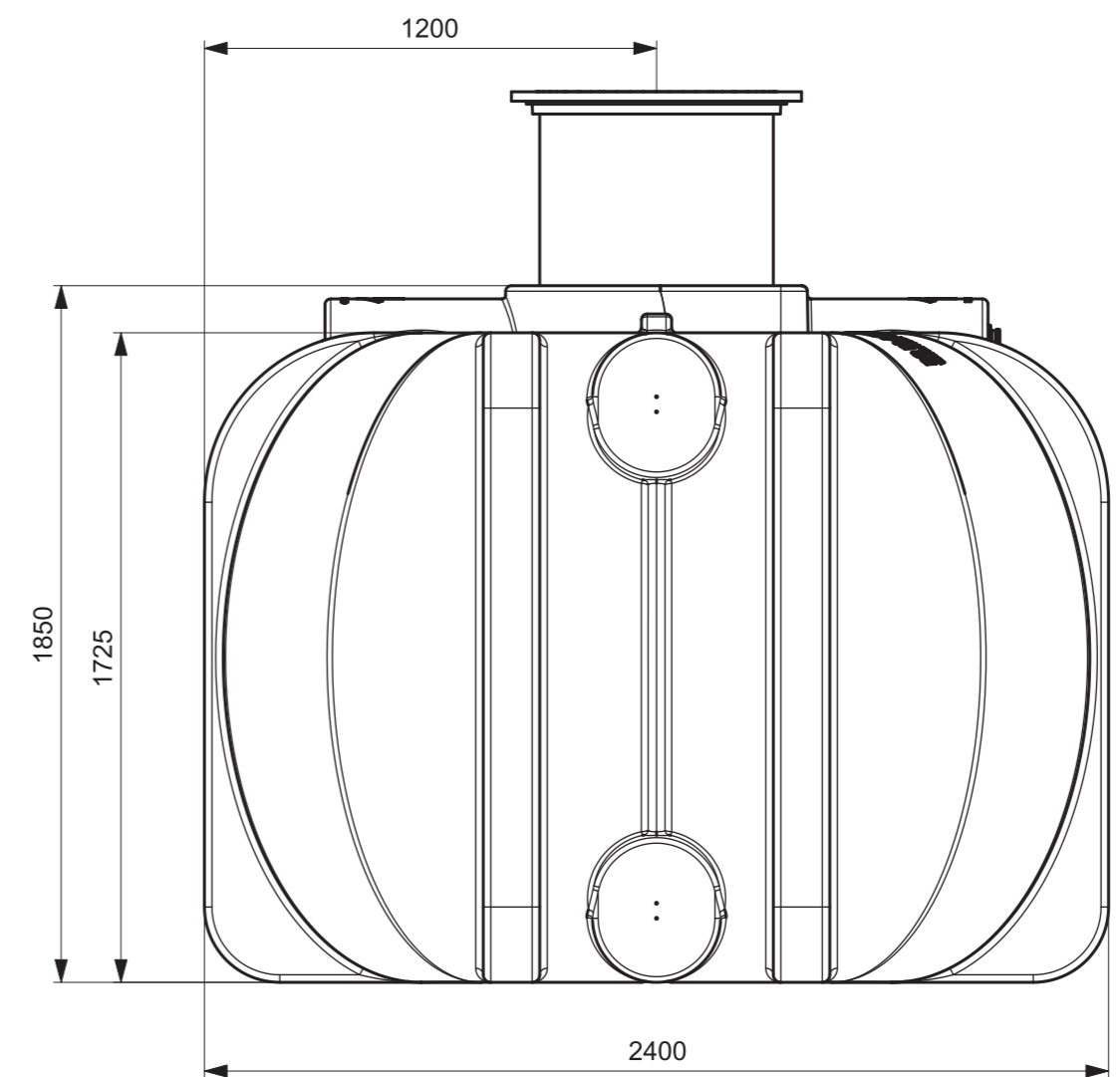
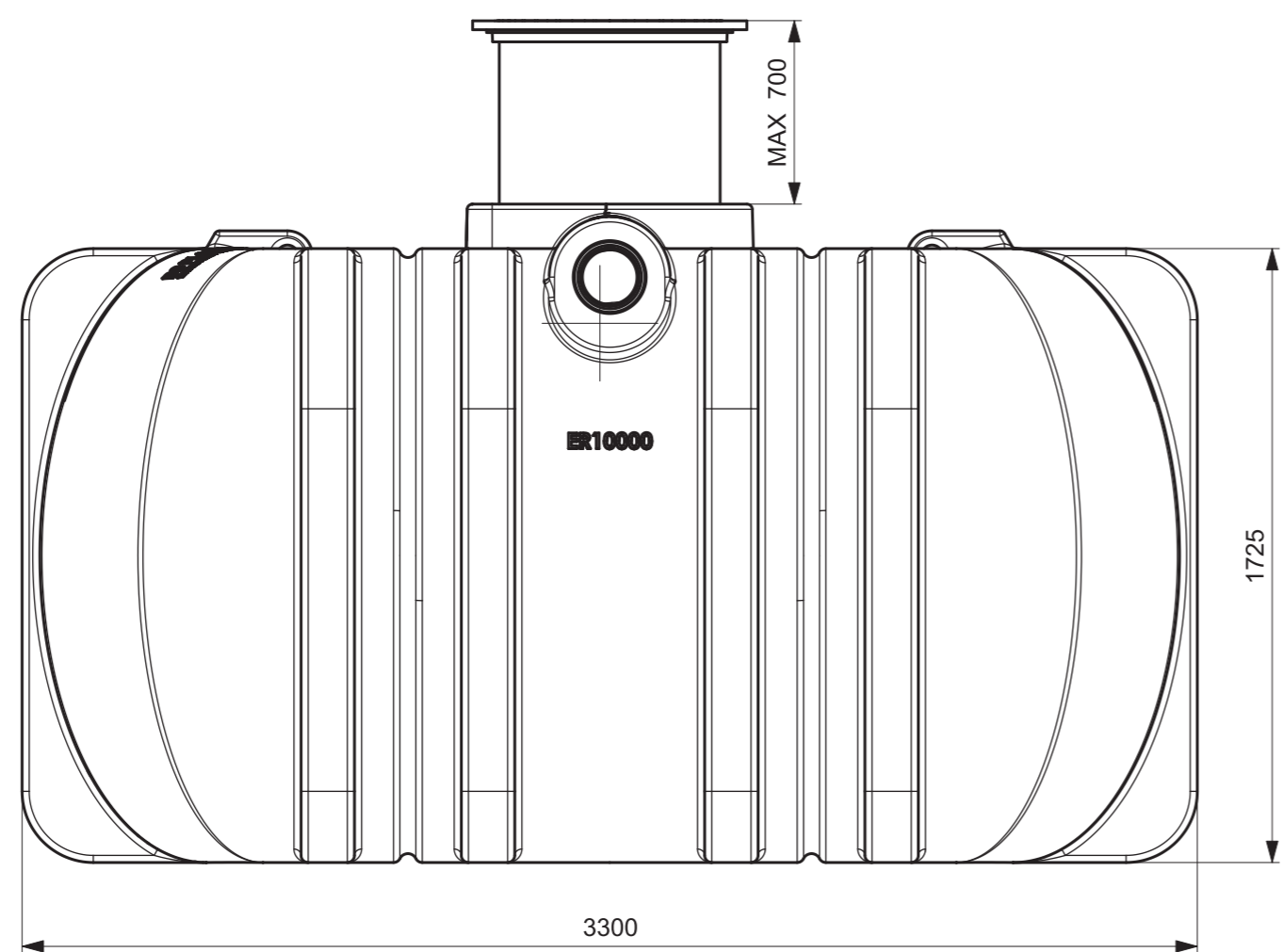
Linear tolerances	Surface roughness	Shape and positioning tolerances	Bend tolerances	Finishing
Drawing name				Material
EASY RAIN 5000L				LLDPE
Drawn by	Name	Date	Drawing number	Sheet 1 of 1
Approved by	unit : MM		EASY_RAIN_5000L_2D_0.01.prt	Scale 1 : 16
DS PLASTICS WATERTIGHT SOLUTIONS DS PLASTICS N.V. Mosten 18 9160 Lokeren T: +32 (0)9 280 78 80			All rights reserved. No parts of this concept may be reproduced in any form or by any means without the prior written permission of DS PLASTICS N.V.	



Linear tolerances	Surface roughness	Shape and positioning tolerances	Bend tolerances	Finishing
Drawing name				Material
EASY RAIN 6000L				LLDPE
Drawn by	Name	Date	Drawing number	Sheet 1 of 1
Approved by	unit : MM		EASY_RAIN_6000L_2D_0.01.prt	Scale 1 : 16
DS PLASTICS WATER TIGHT SOLUTIONS DS PLASTICS N.V. Mosten 18 9160 Lokeren T: +32 (0)9 280 78 80			All rights reserved. No parts of this concept may be reproduced in any form or by any means without the prior written permission of DS PLASTICS N.V.	



Linear tolerances	Surface roughness	Shape and positioning tolerances	Bend tolerances	Finishing
Drawing name				Material
EASY RAIN 7500L				LLDPE
Drawn by	Name	Date	Drawing number	Sheet 1 of 1
Approved by			EASY_RAIN_7500L_2D_0.01.prt	Scale 1 : 20
			unit : MM	Format A2
DS PLASTICS WATERTIGHT SOLUTIONS DS PLASTICS N.V. Mosten 18 9160 Lokeren T: +32 (0)9 280 78 80			All rights reserved. No parts of this concept may be reproduced in any form or by any means without the prior written permission of DS PLASTICS N.V.	



Linear tolerances	Surface roughness	Shape and positioning tolerances	Bend tolerances	Finishing
Drawing name				Material
EASY RAIN 10000L				LLDPE
Drawn by	Name	Date	Drawing number	Sheet 1 of 1
Approved by			EASY_RAIN_10000L_2D_0.01.prt	Scale 1 : 20
			unit : MM	Format A2
DS PLASTICS WATERTIGHT SOLUTIONS DS PLASTICS N.V. Molen 18 9160 Lokeren T: +32 (0)9 280 78 80			All rights reserved. No parts of this concept may be reproduced in any form or by any means without the prior written permission of DS PLASTICS N.V.	