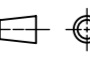
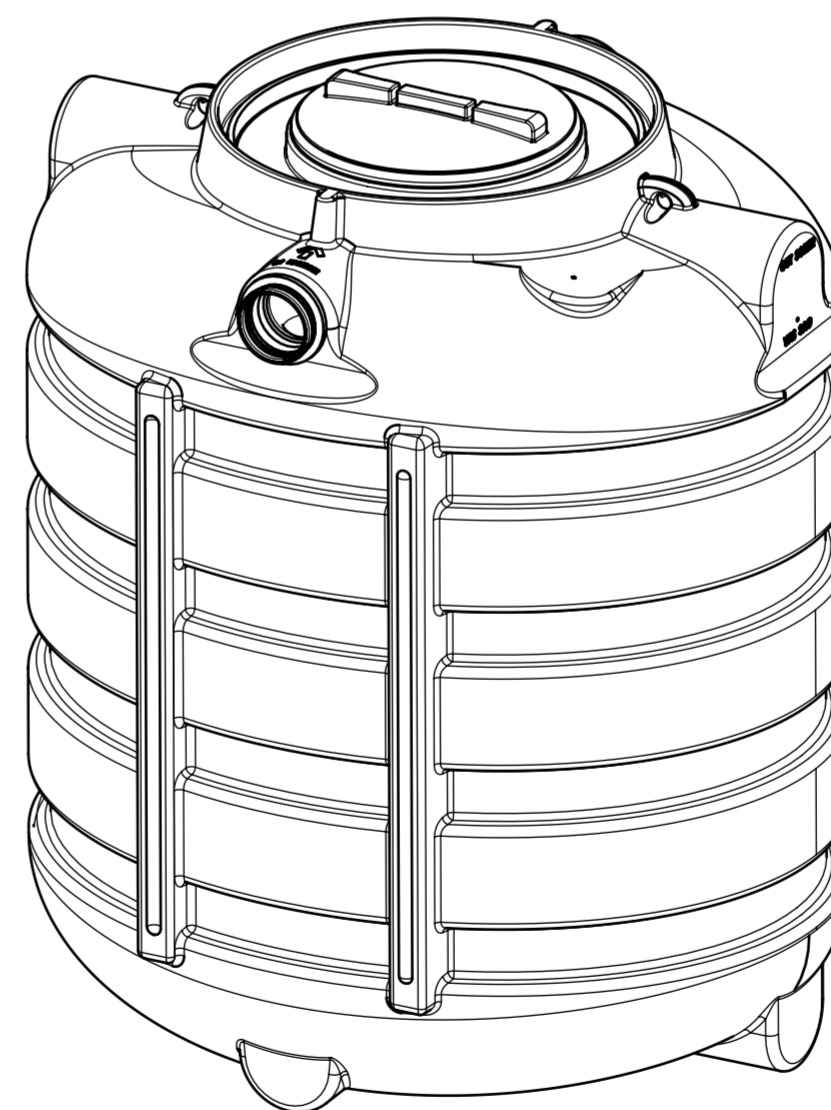
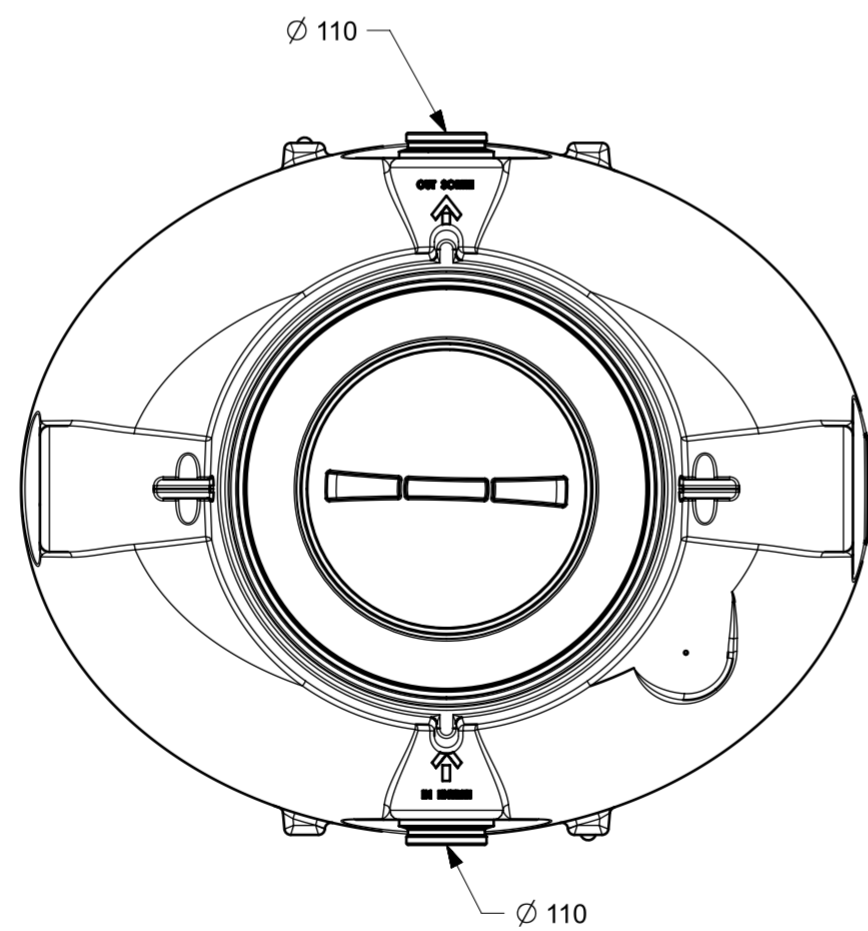
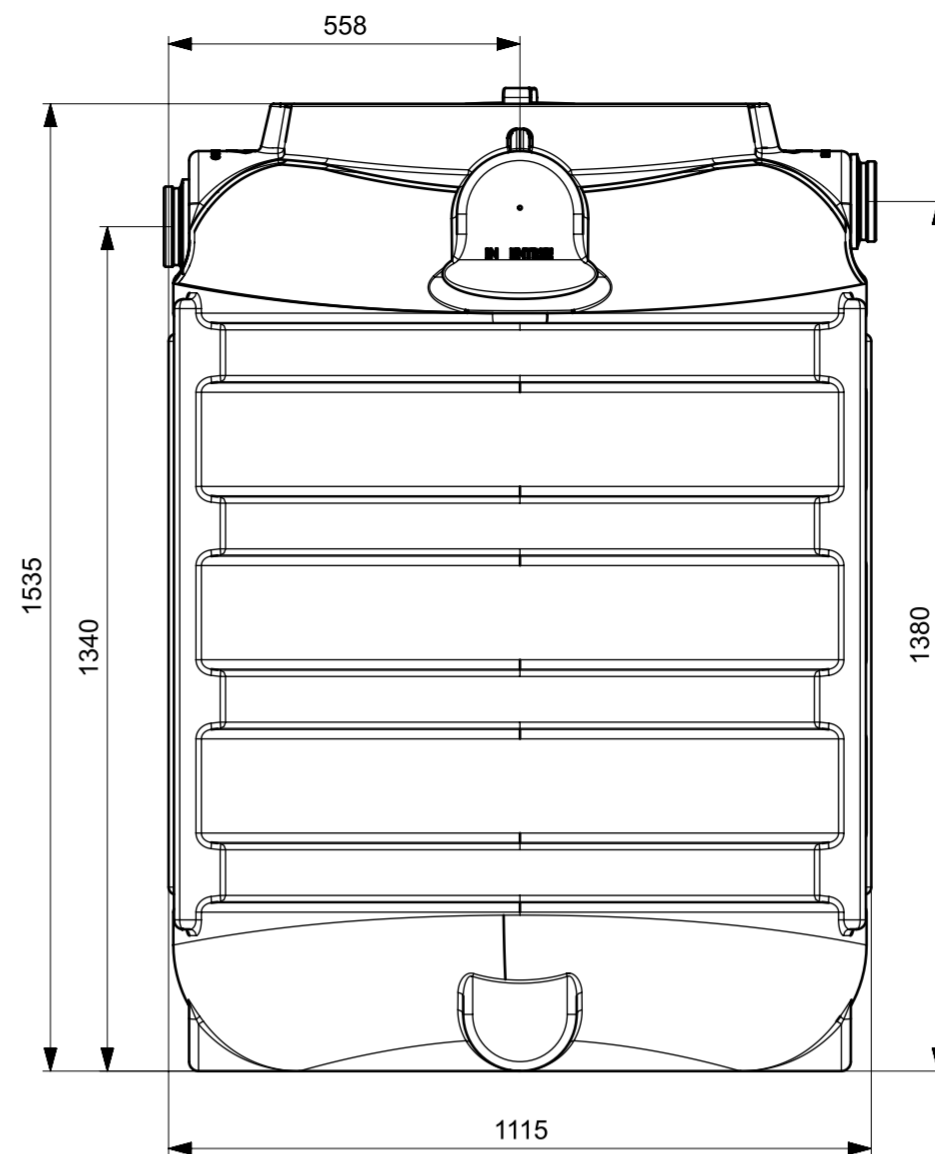
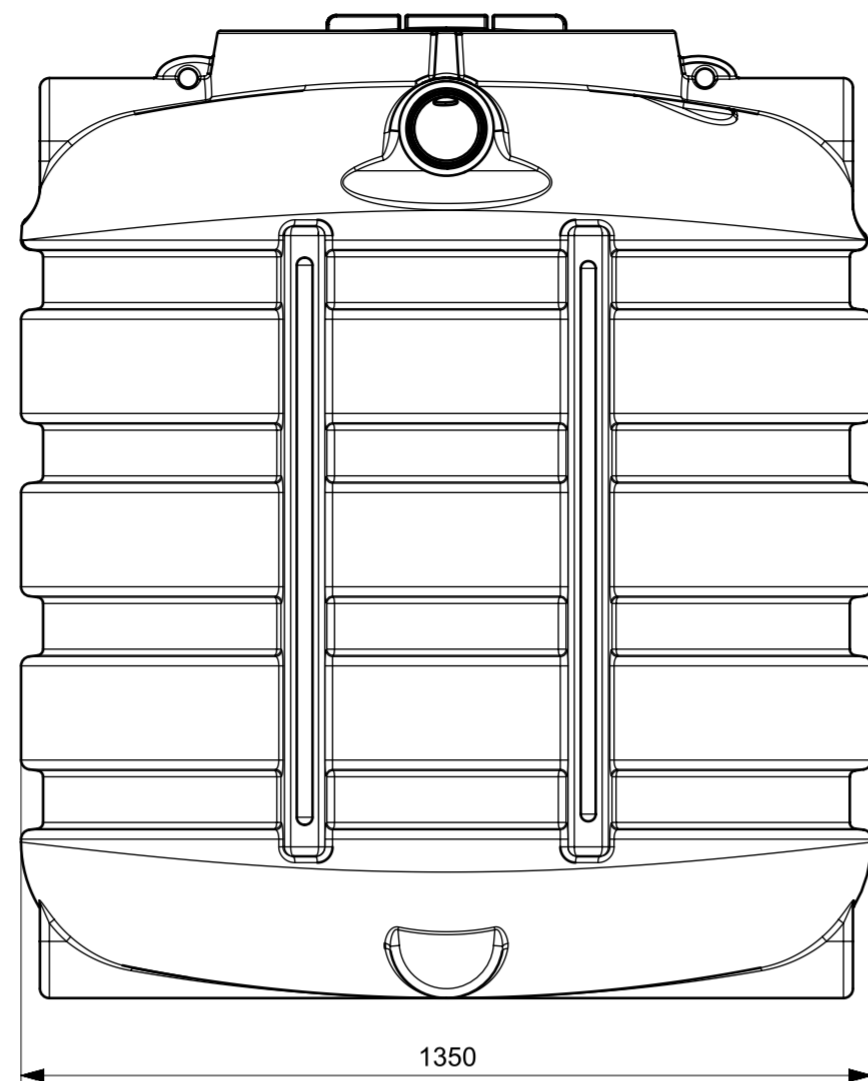
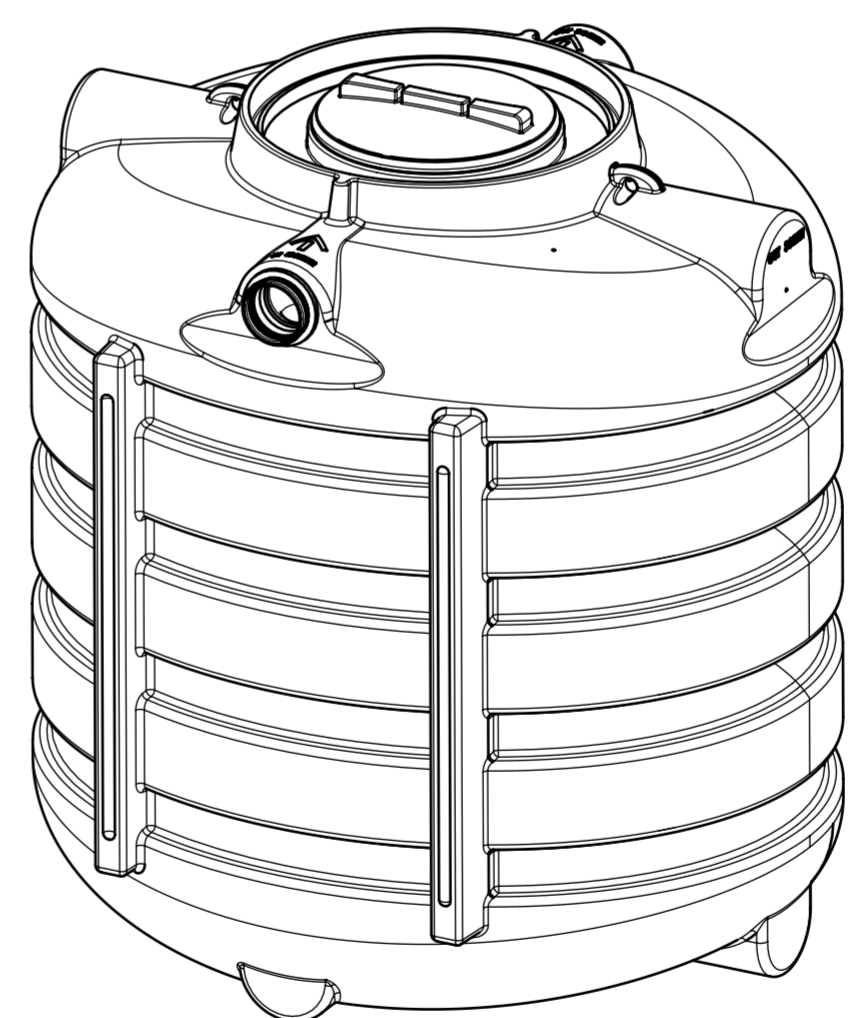
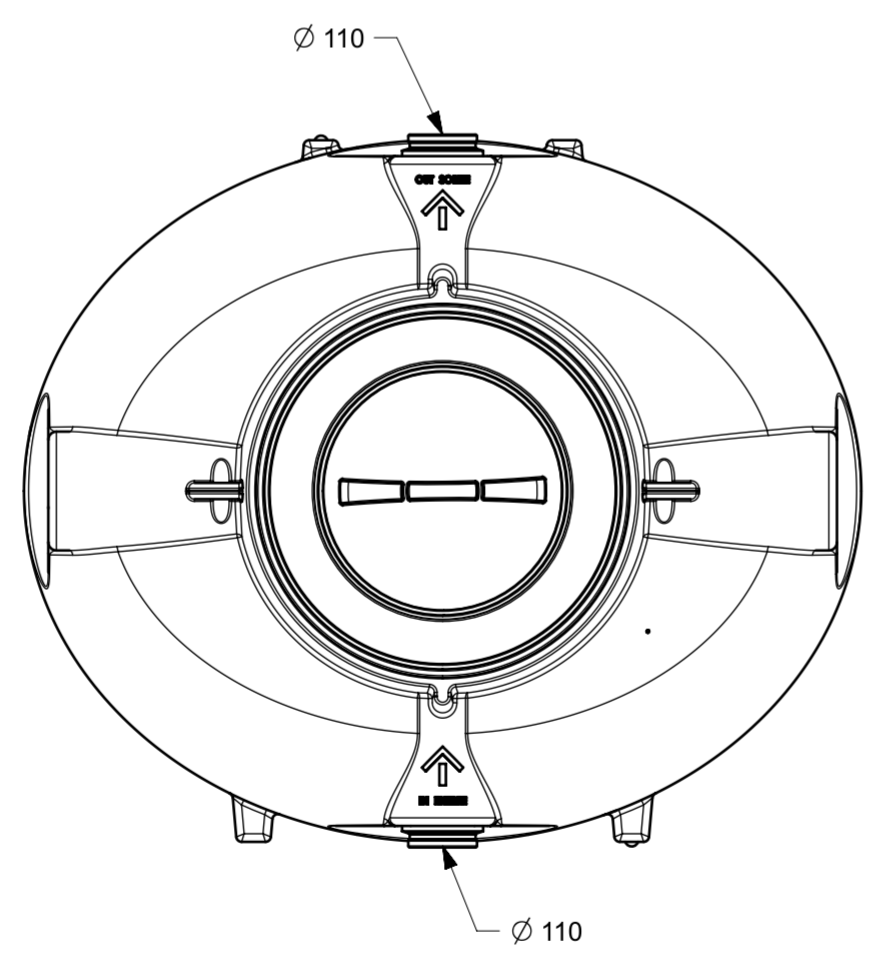
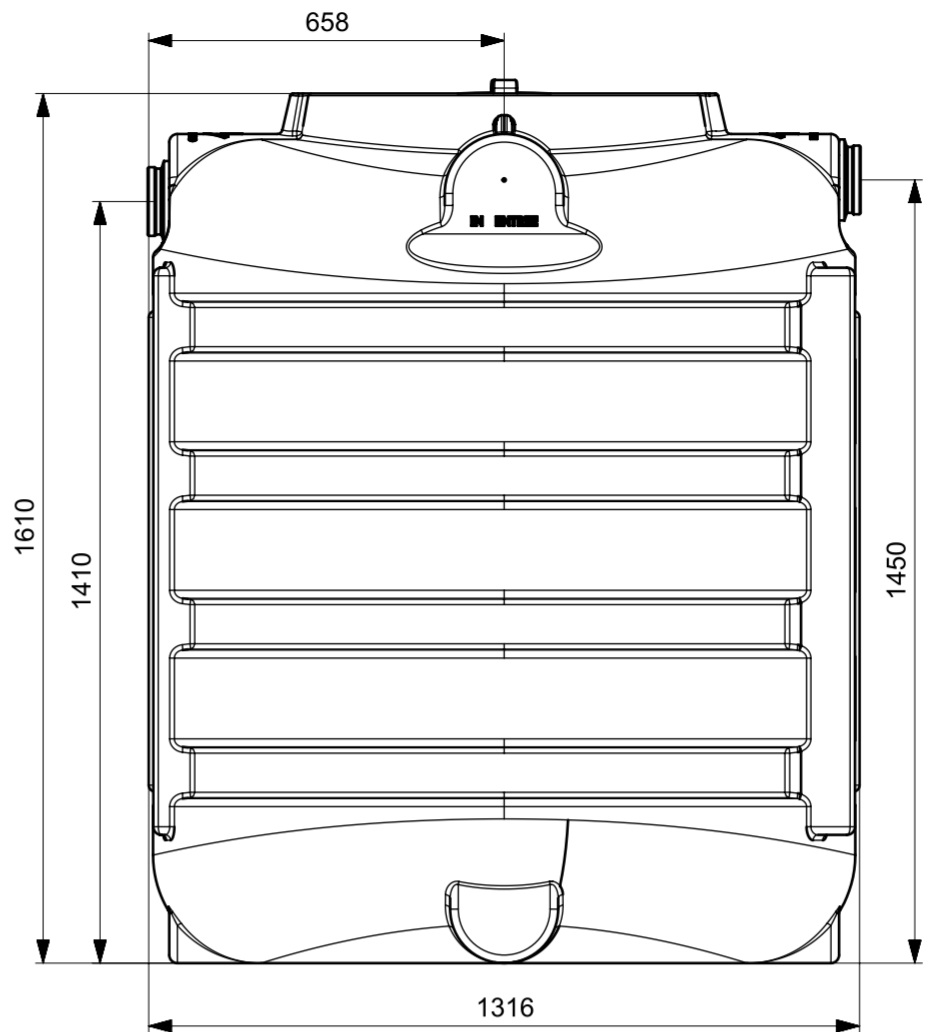
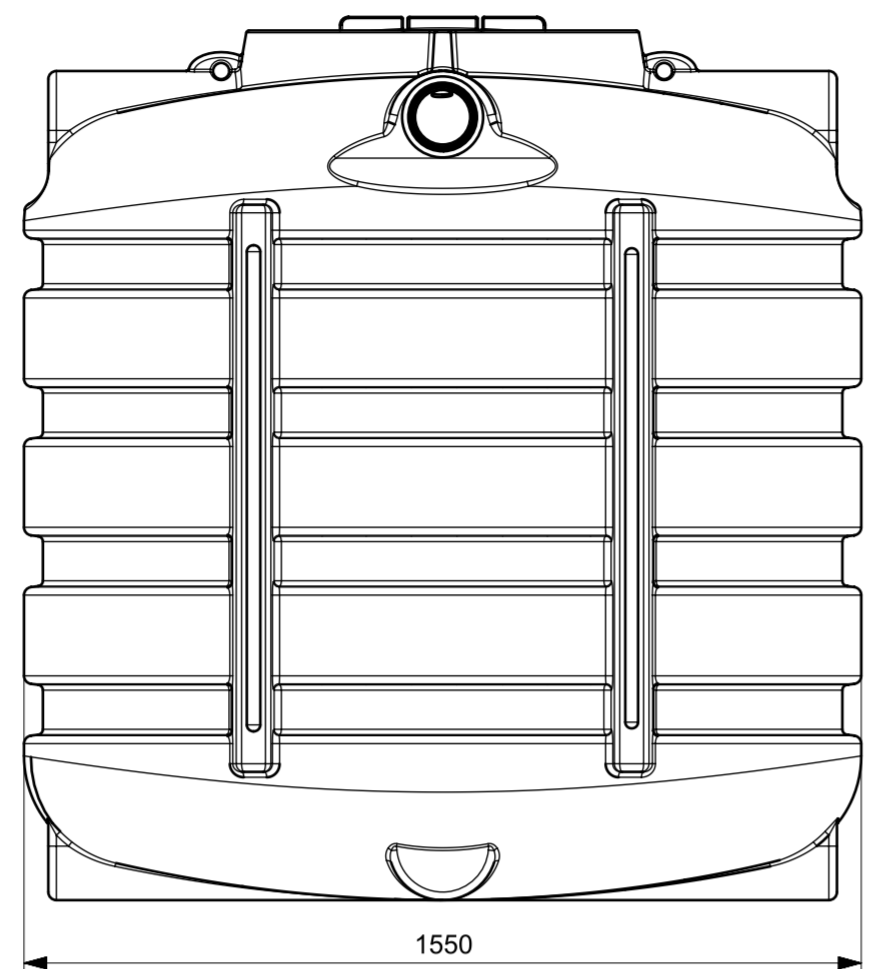
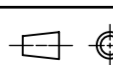


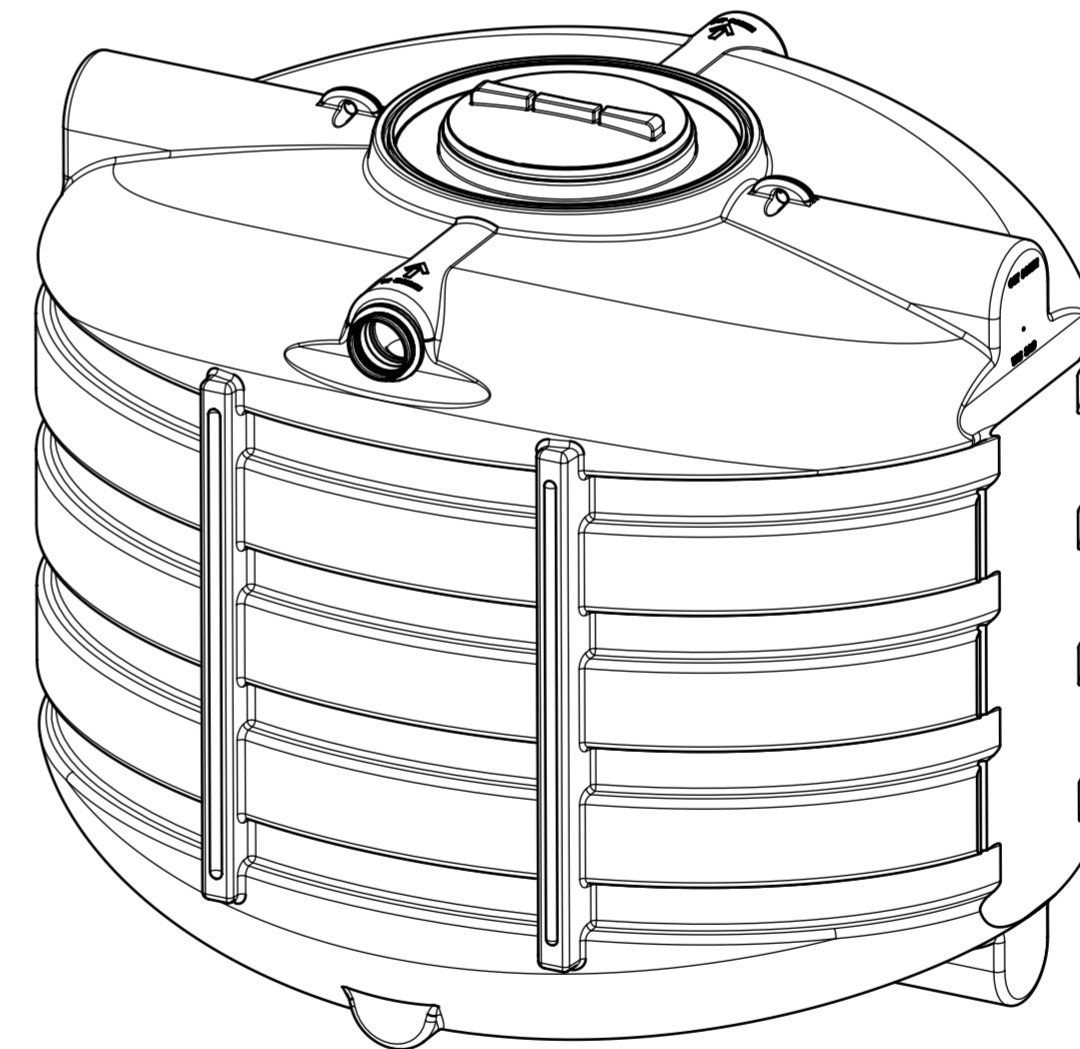
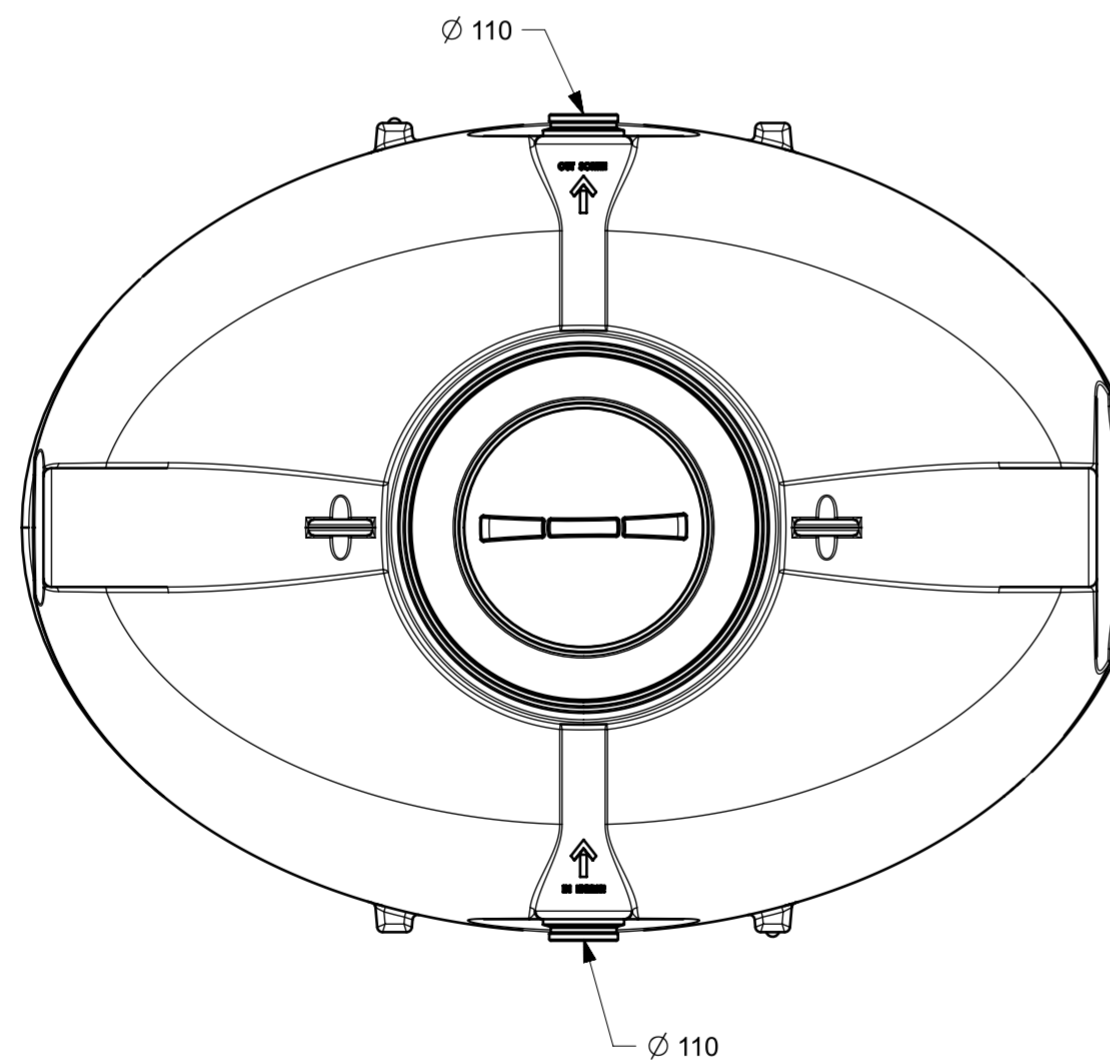
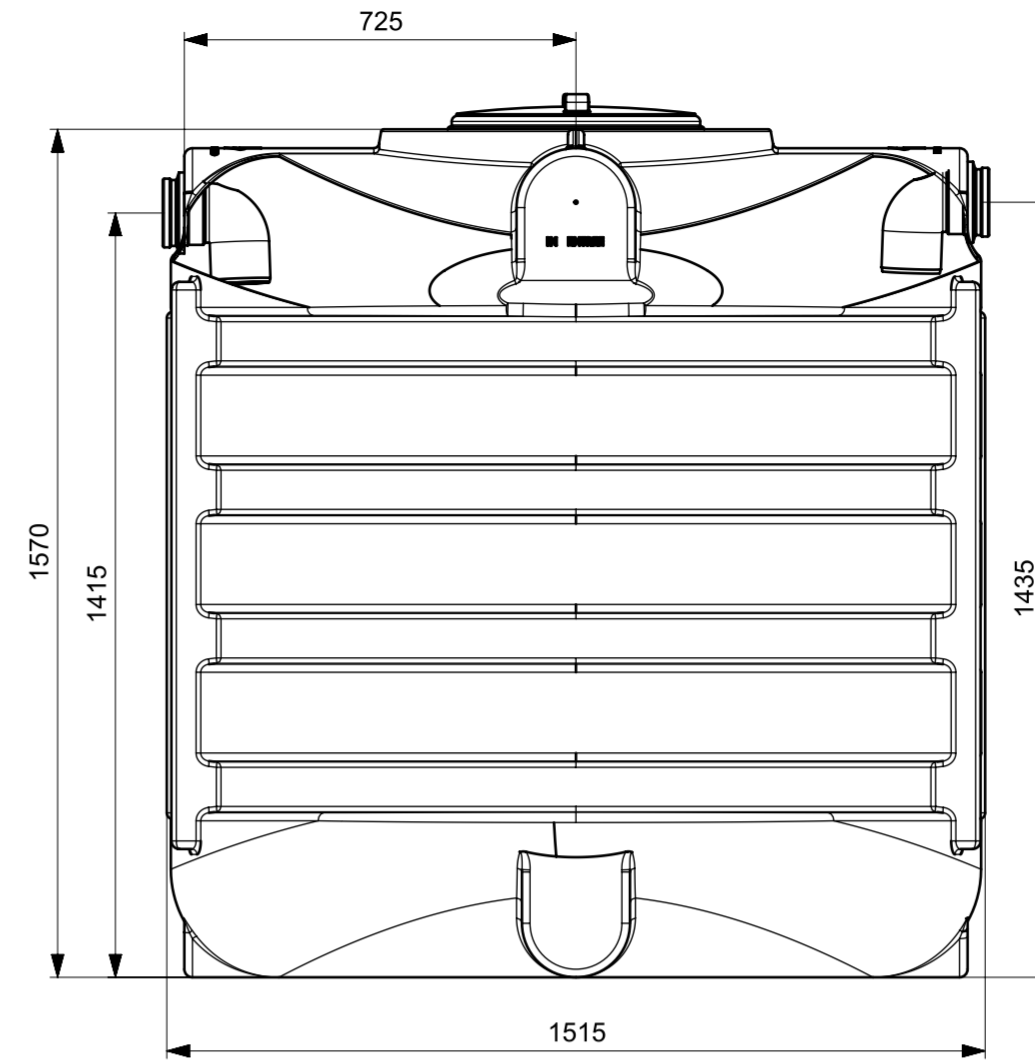
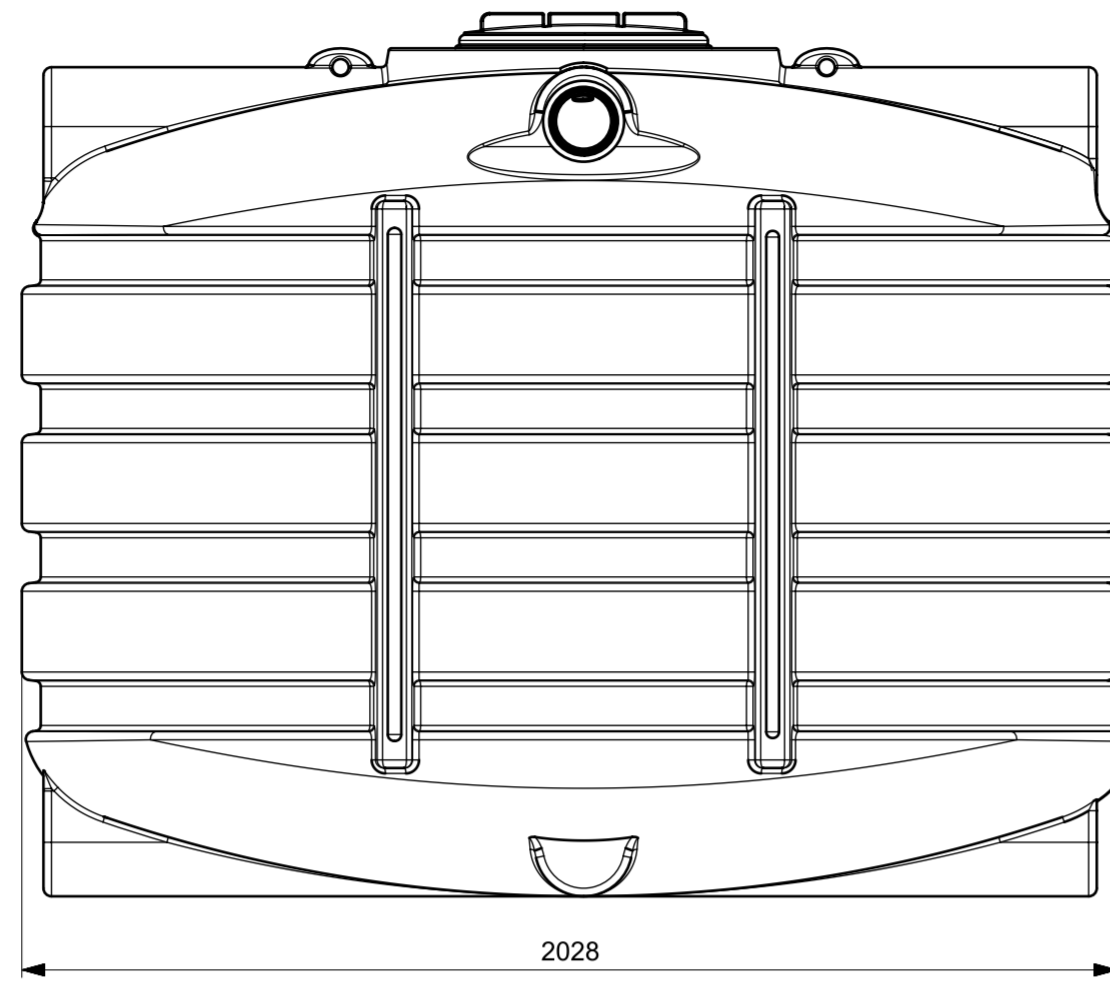
Linear tolerances	Surface roughness	Shape and positioning tolerances	Bend tolerances	Finishing
Drawing name				Material
DSB 1000L				LLDPE
Drawn by	Name	Date	 Drawing number DSB_1000L_2D_0.01.prt	Sheet 1 of 1
Approved by	unit : MM			Scale 1 : 12
DS PLASTICS WATERTIGHT SOLUTIONS DS PLASTICS N.V. Mosten 18 9160 Lokeren T: +32 (0)9 280 78 80			All rights reserved. No parts of this concept may be reproduced in any form or by any means without the prior written permission of DS PLASTICS N.V.	



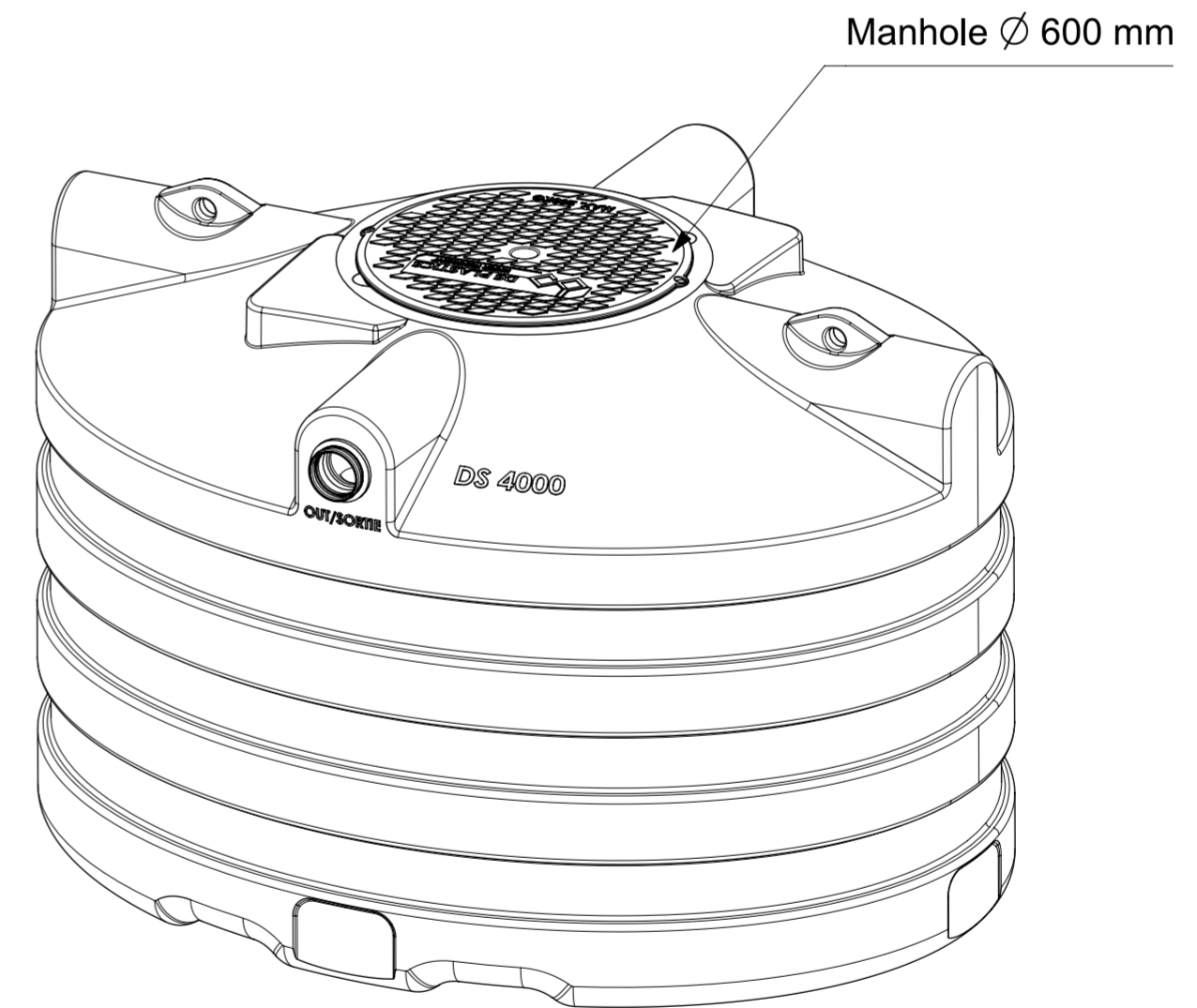
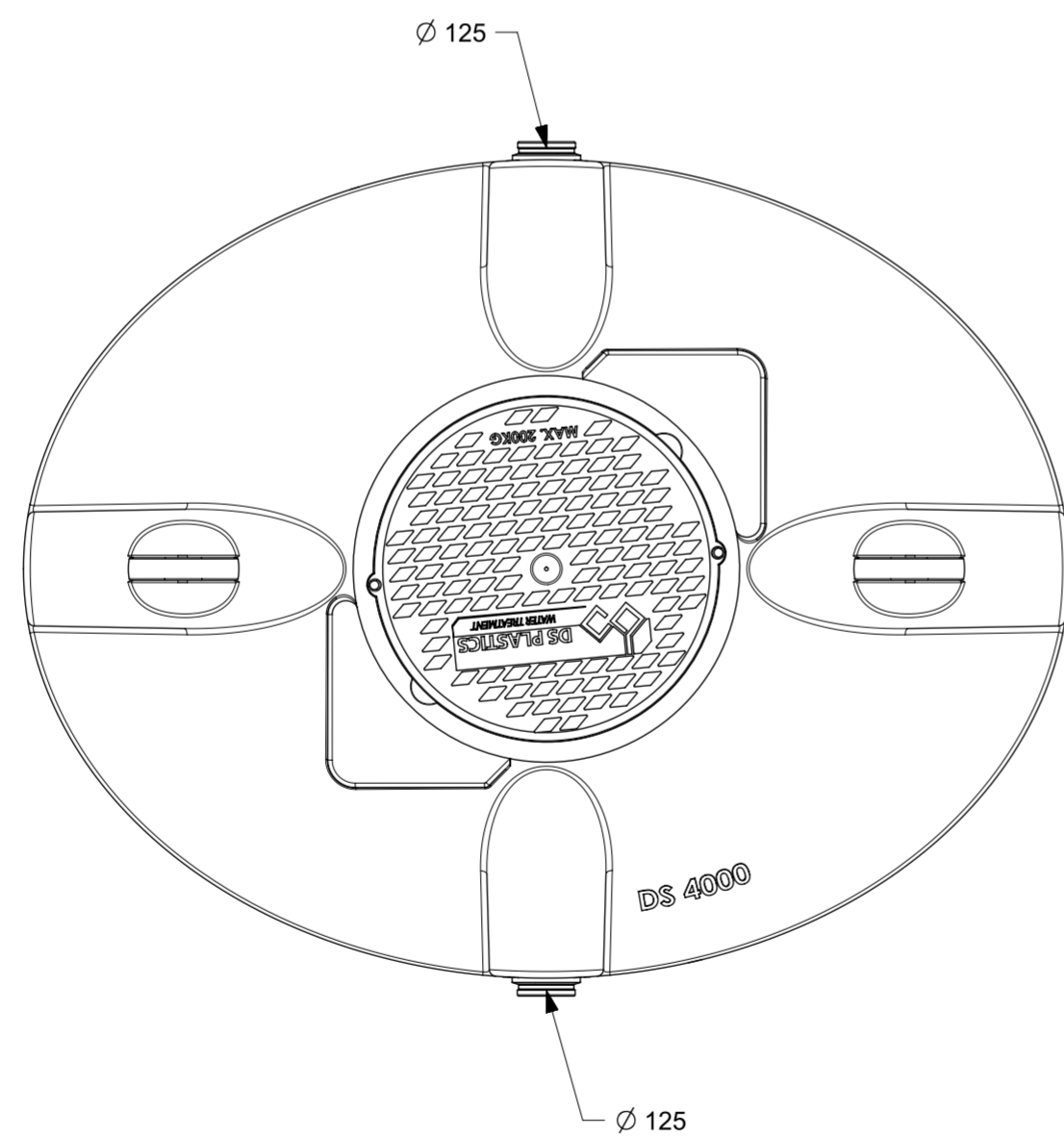
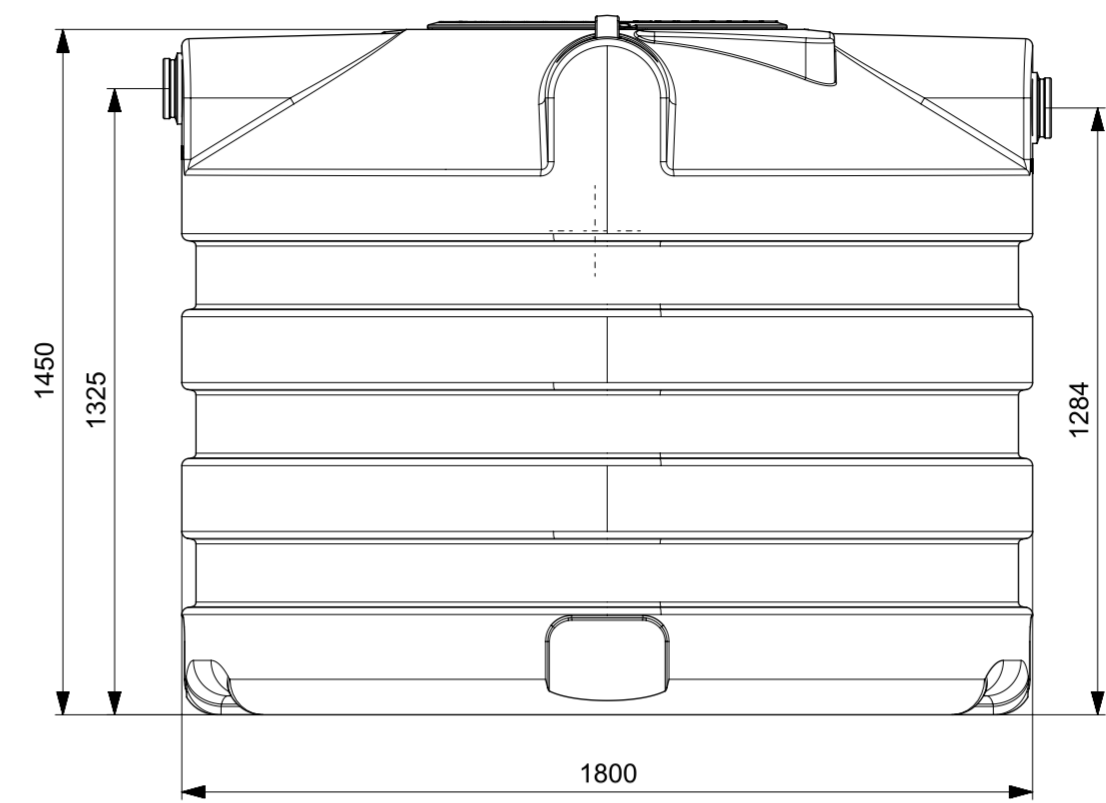
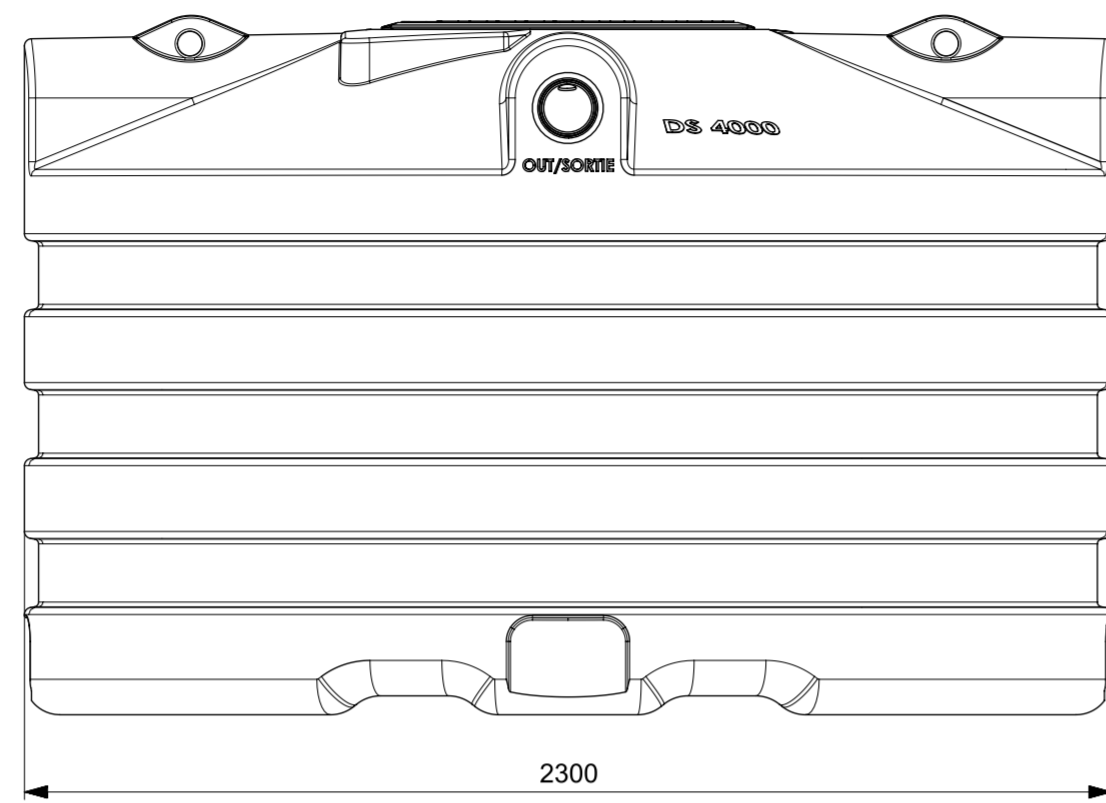
Linear tolerances	Surface roughness	Shape and positioning tolerances	Bend tolerances	Finishing
Drawing name				Material
DSB 1500L				LLDPE
Drawn by	Name	Date	Drawing number	Sheet
Approved by	unit : MM			1 of 1
			DSB_1500L_2D_0.01.prt	Scale
				1 : 12
				Format
				A2
DS PLASTICS WATERTIGHT SOLUTIONS DS PLASTICS N.V. Mosten 18 9160 Lokeren T: +32 (0)9 280 78 80			All rights reserved. No parts of this concept may be reproduced in any form or by any means without the prior written permission of DS PLASTICS N.V.	



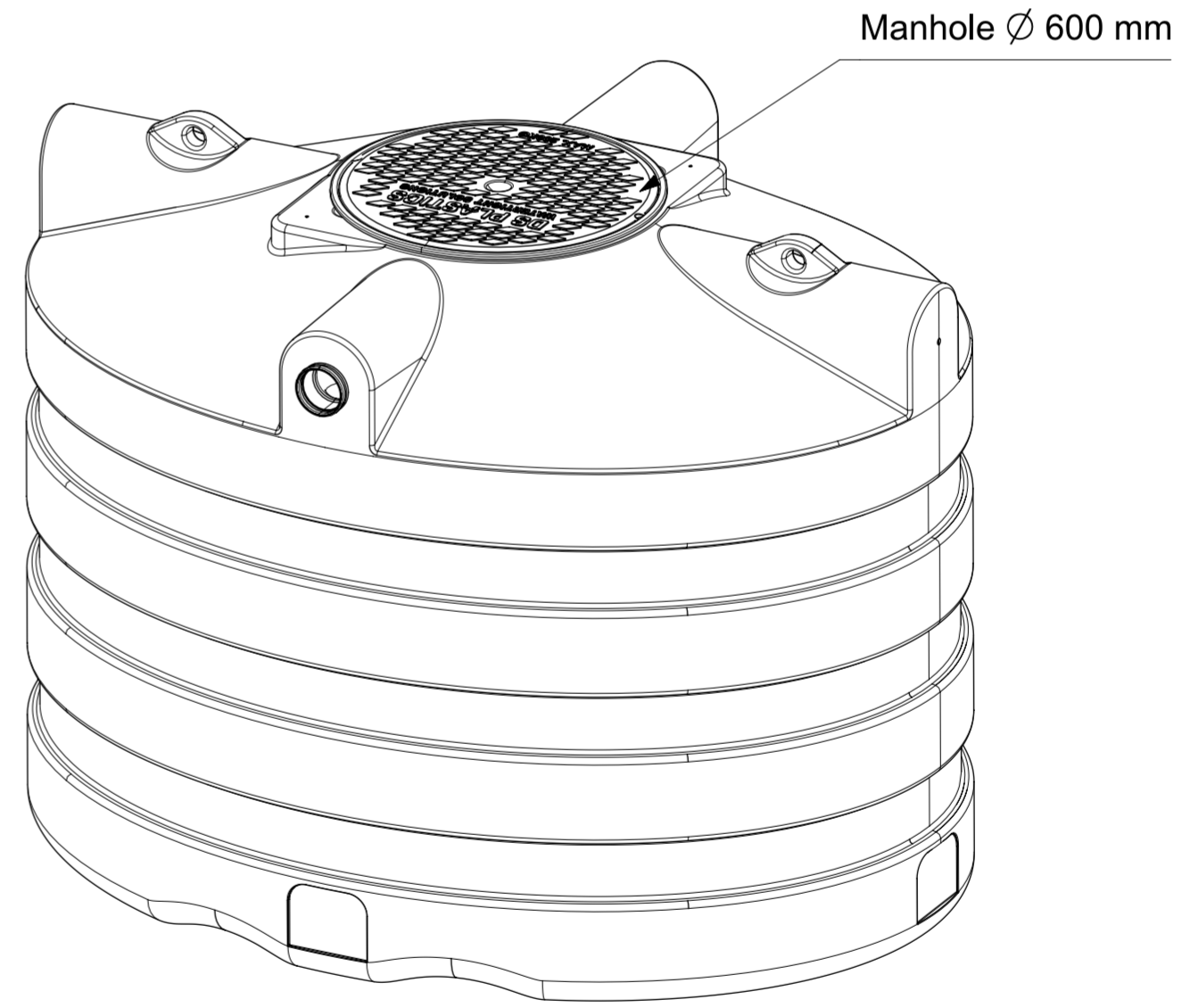
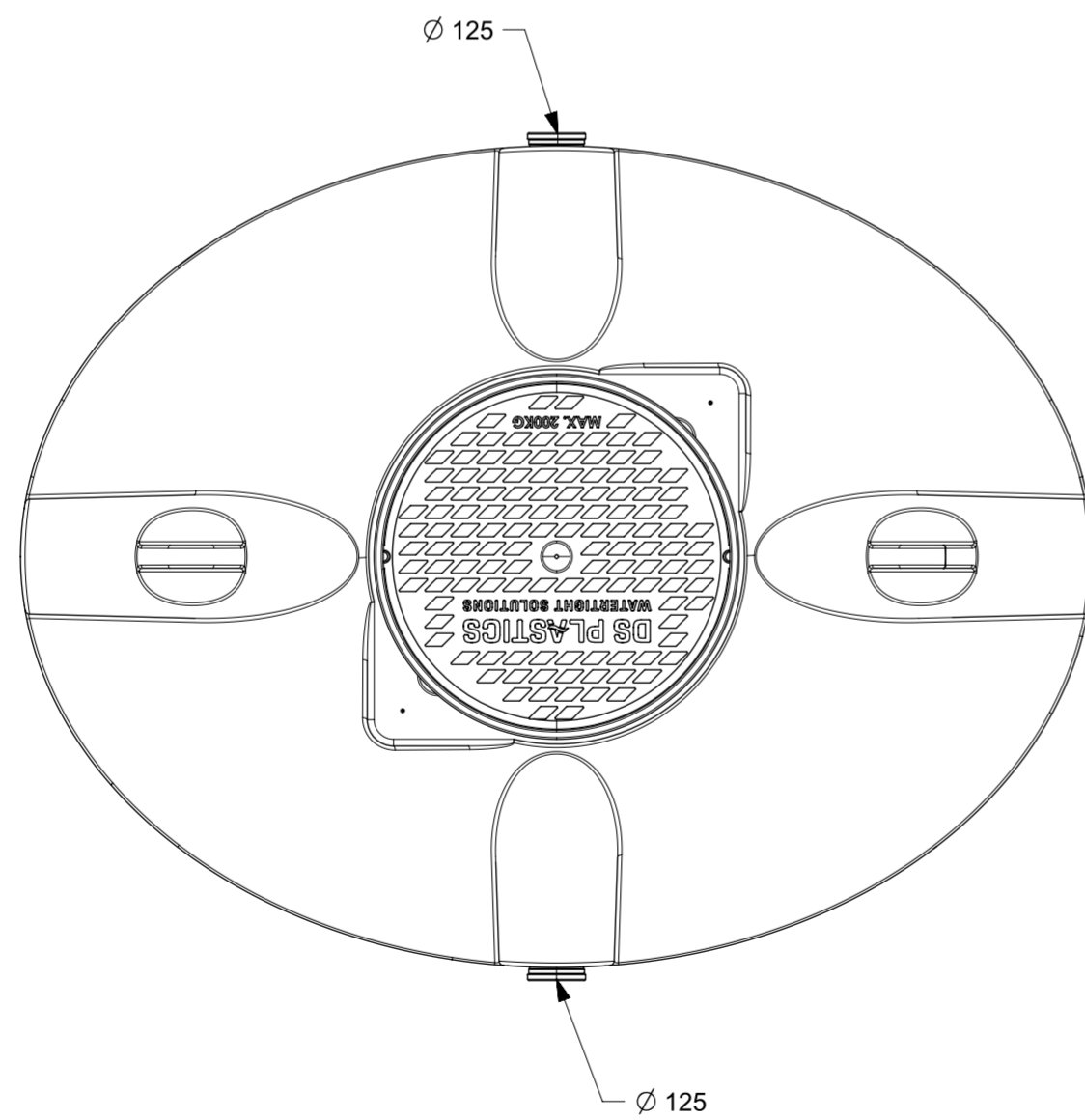
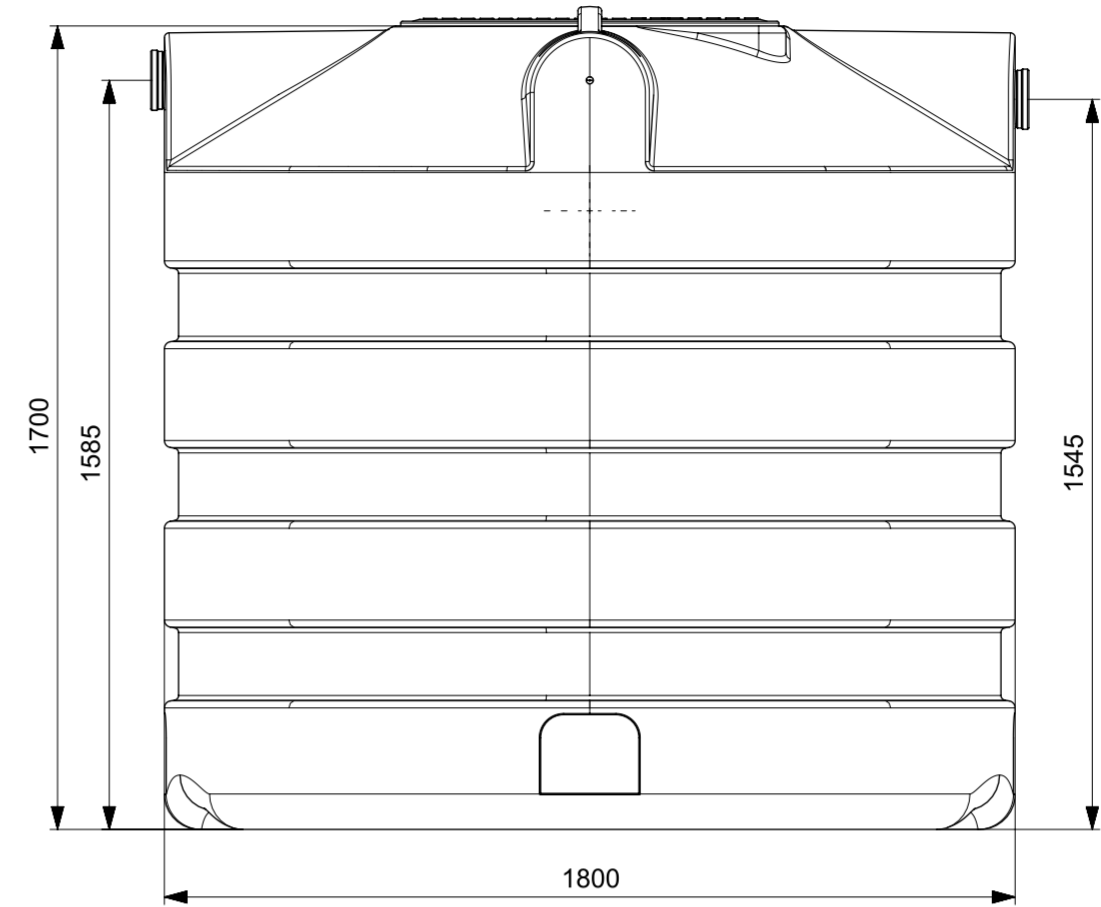
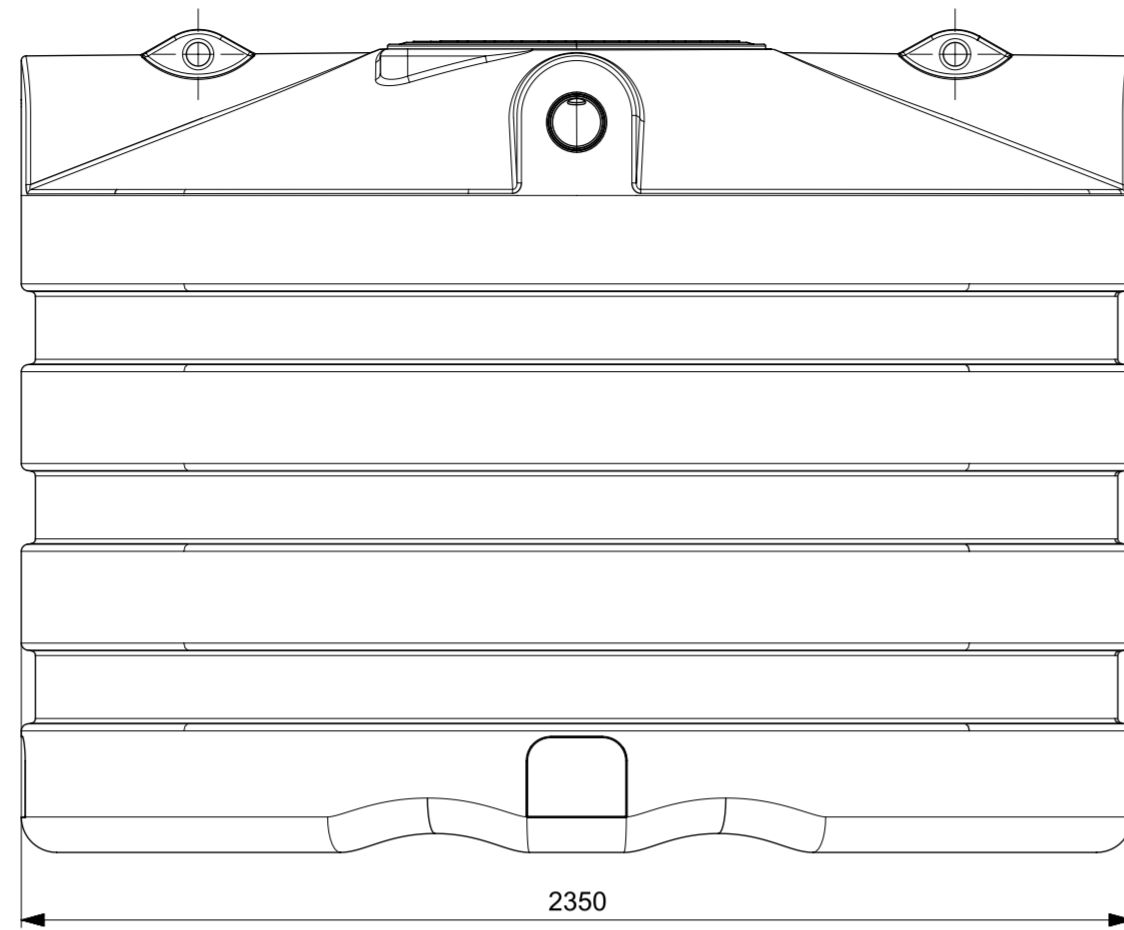
Linear tolerances	Surface roughness	Shape and positioning tolerances	Bend tolerances	Finishing
Drawing name				Material
DSB 2000L				LLDPE
Drawn by	Name	Date	 Drawing number DSB_2000L_2D_0.01.prt	Sheet 1 of 1
Approved by	unit : MM			Scale 1 : 14
DS PLASTICS WATERTIGHT SOLUTIONS DS PLASTICS N.V. Mosten 18 9160 Lokeren T: +32 (0)9 280 78 80			All rights reserved. No parts of this concept may be reproduced in any form or by any means without the prior written permission of DS PLASTICS N.V.	



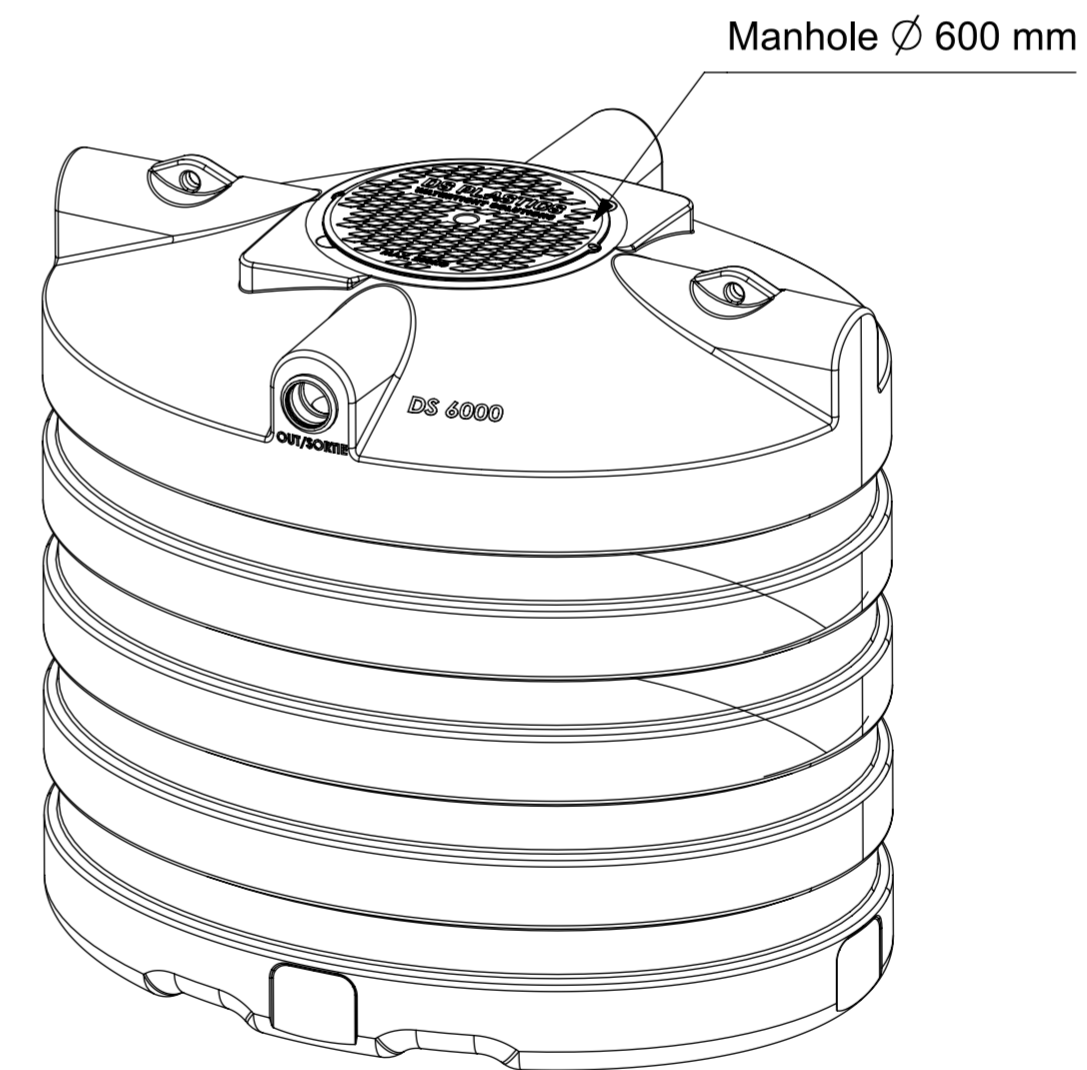
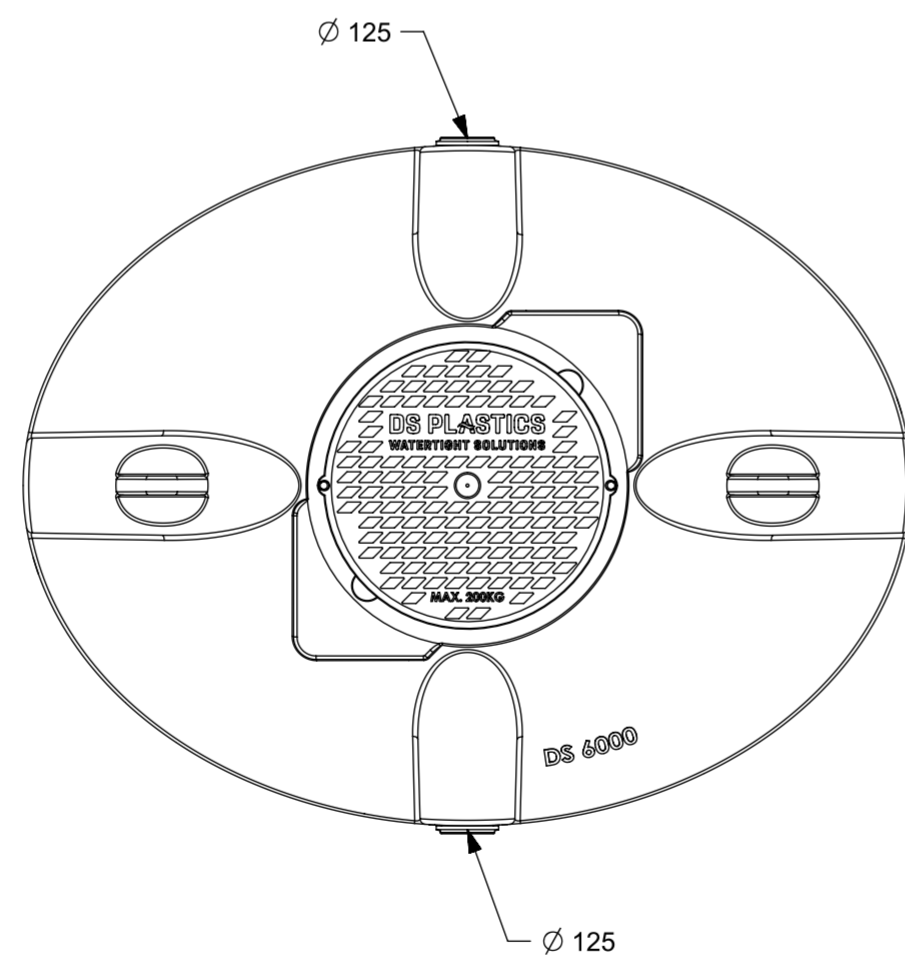
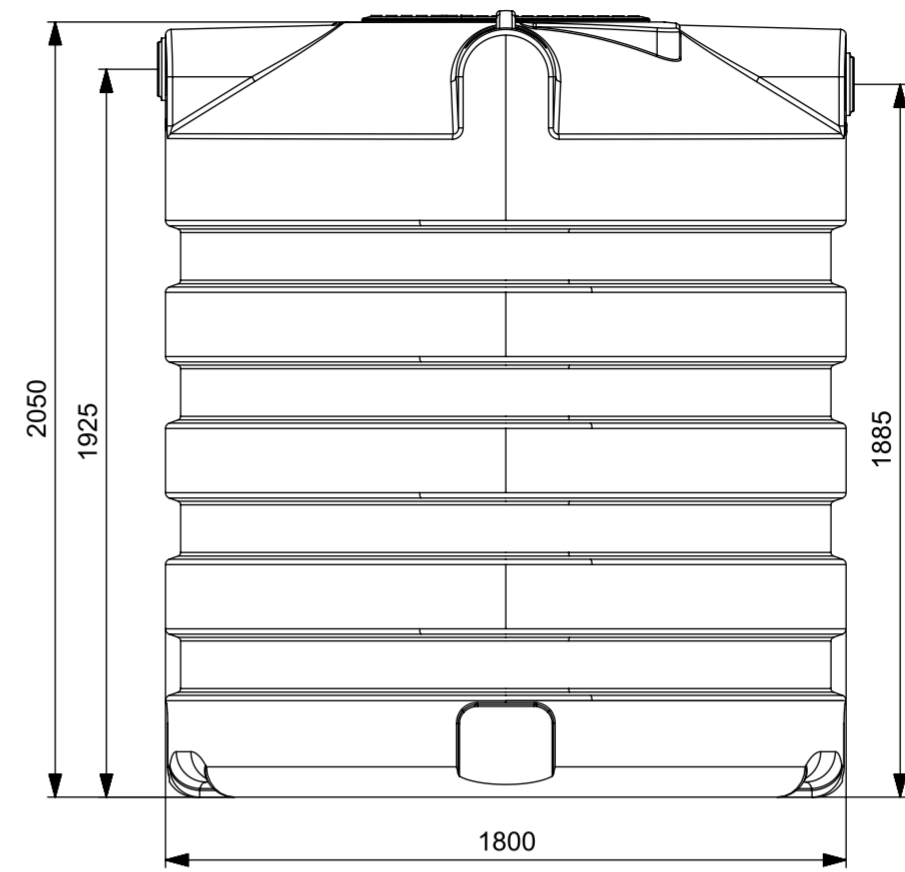
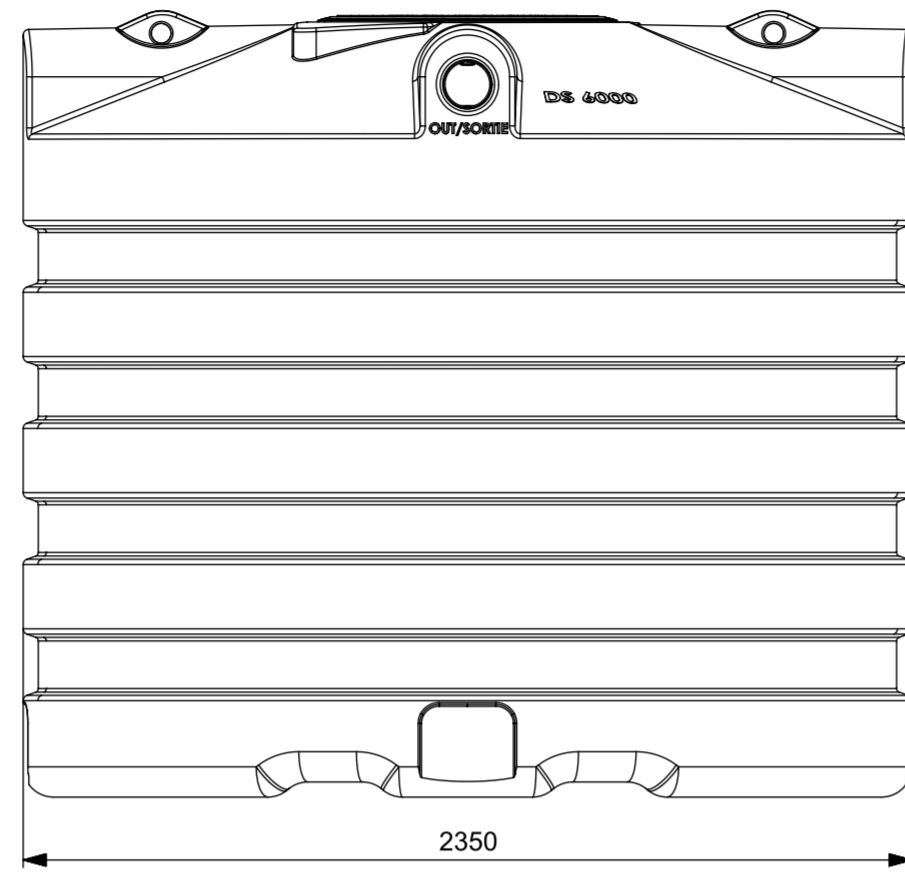
Linear tolerances	Surface roughness	Shape and positioning tolerances	Bend tolerances	Finishing
Drawing name				Material
DSB 3300L				LLDPE
Drawn by	Name	Date	Drawing number	Sheet 1 of 1
Approved by	unit : MM		DSB_3300L_2D_0.01.prt	Scale 1 : 14
DS PLASTICS WATERTIGHT SOLUTIONS DS PLASTICS N.V. Mosten 18 9160 Lokeren T: +32 (0)9 280 78 80			All rights reserved. No parts of this concept may be reproduced in any form or by any means without the prior written permission of DS PLASTICS N.V.	



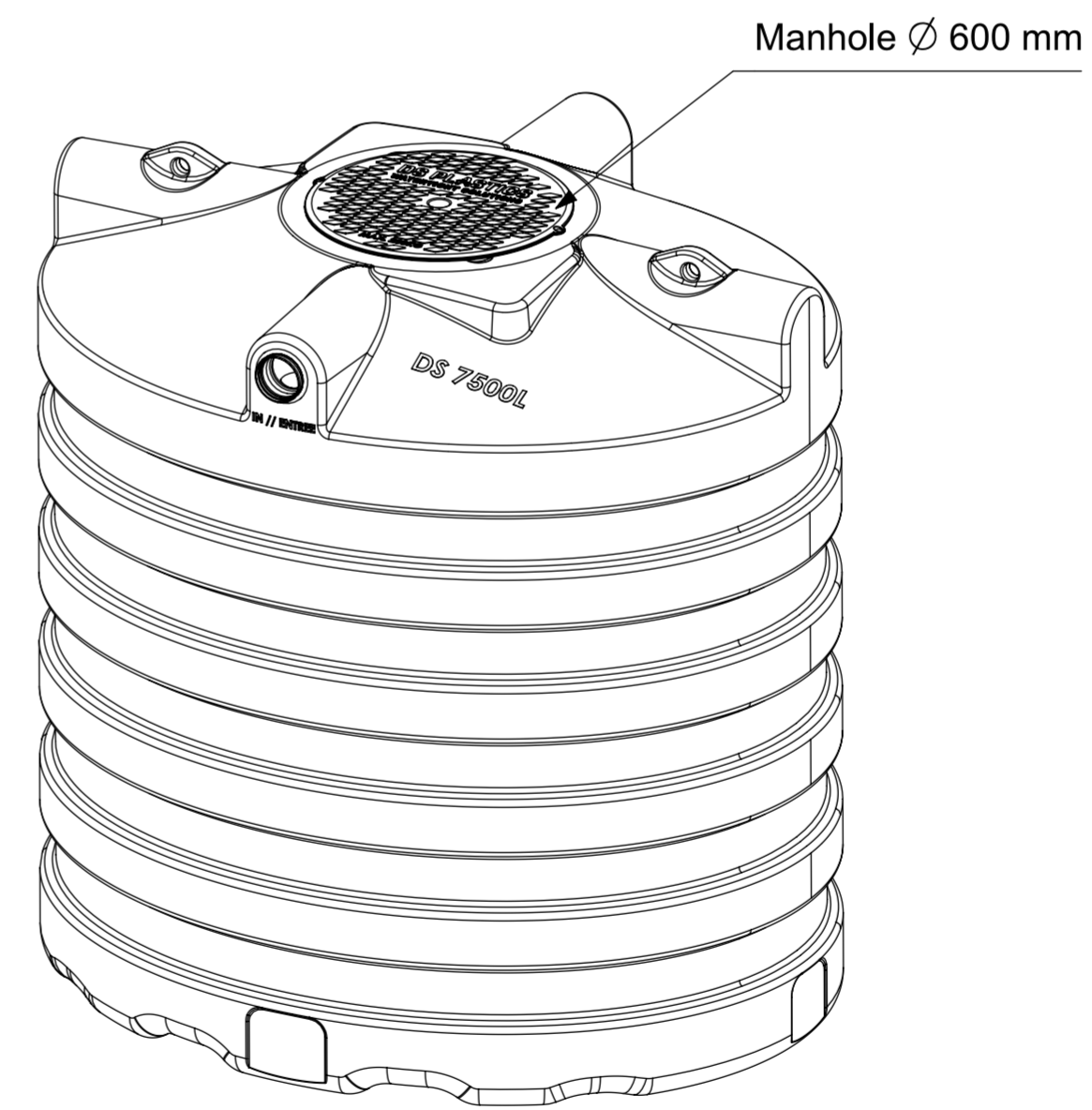
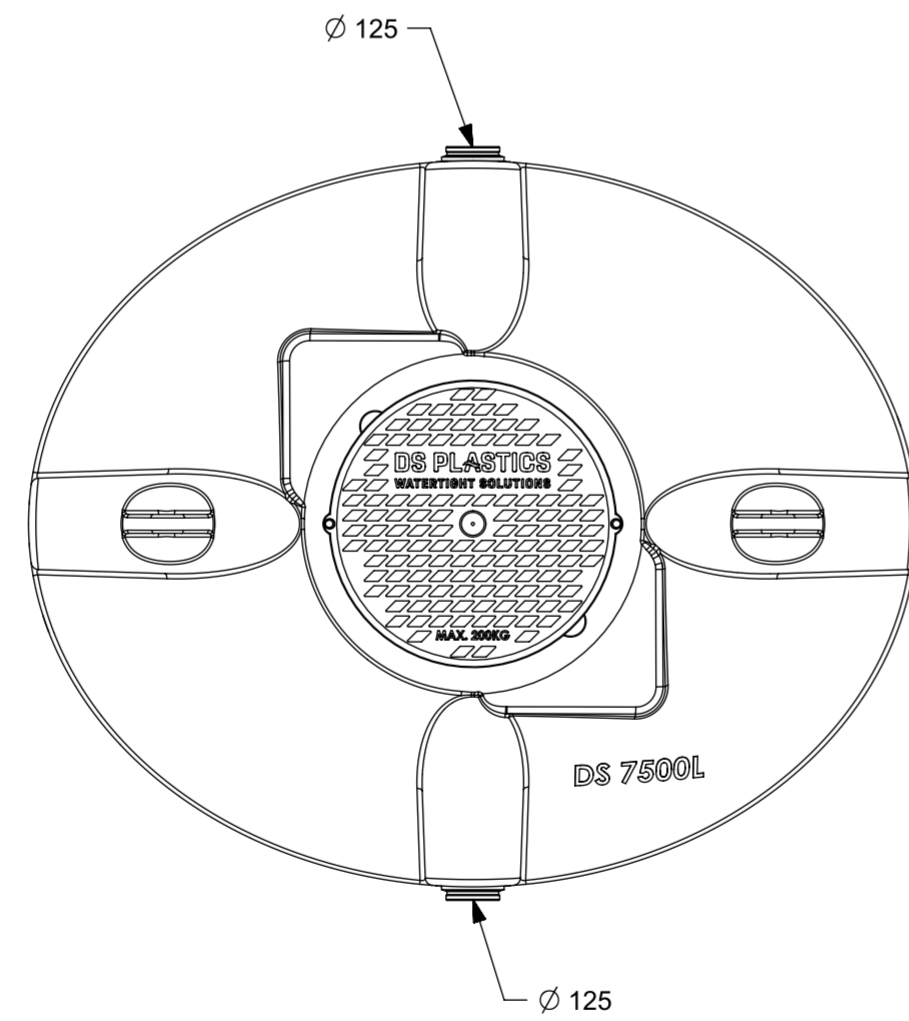
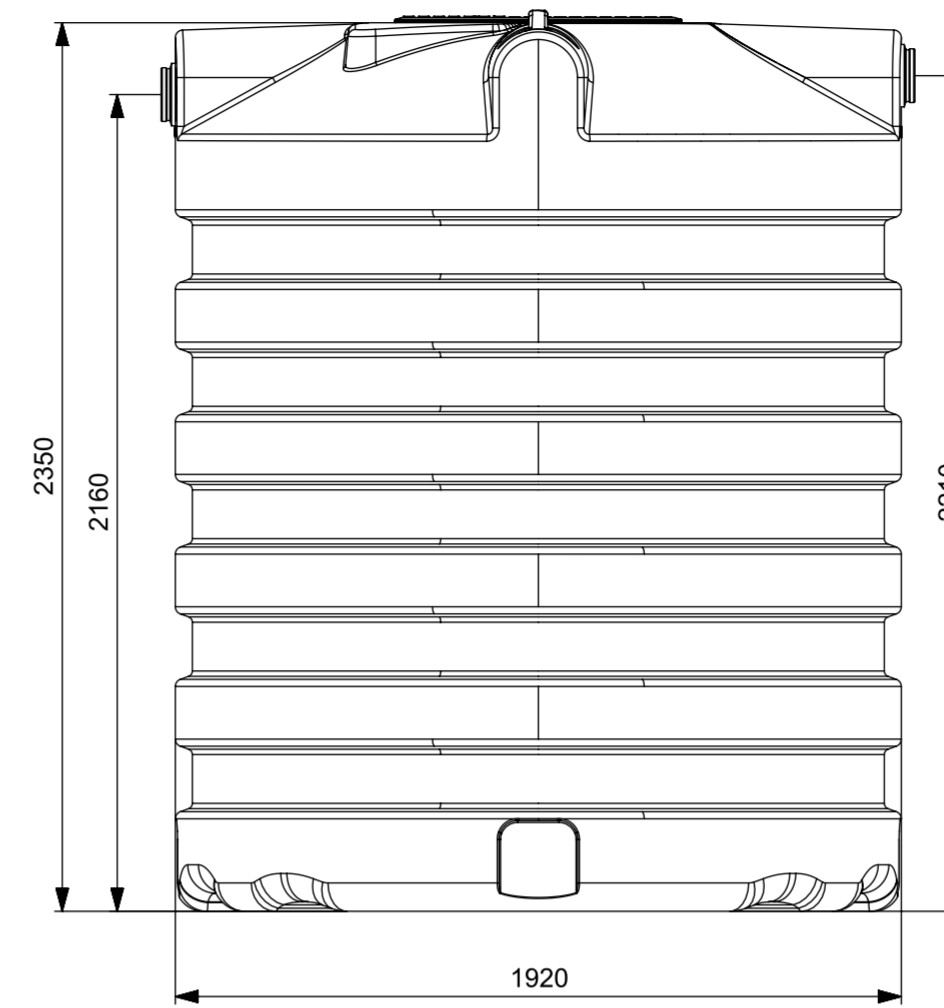
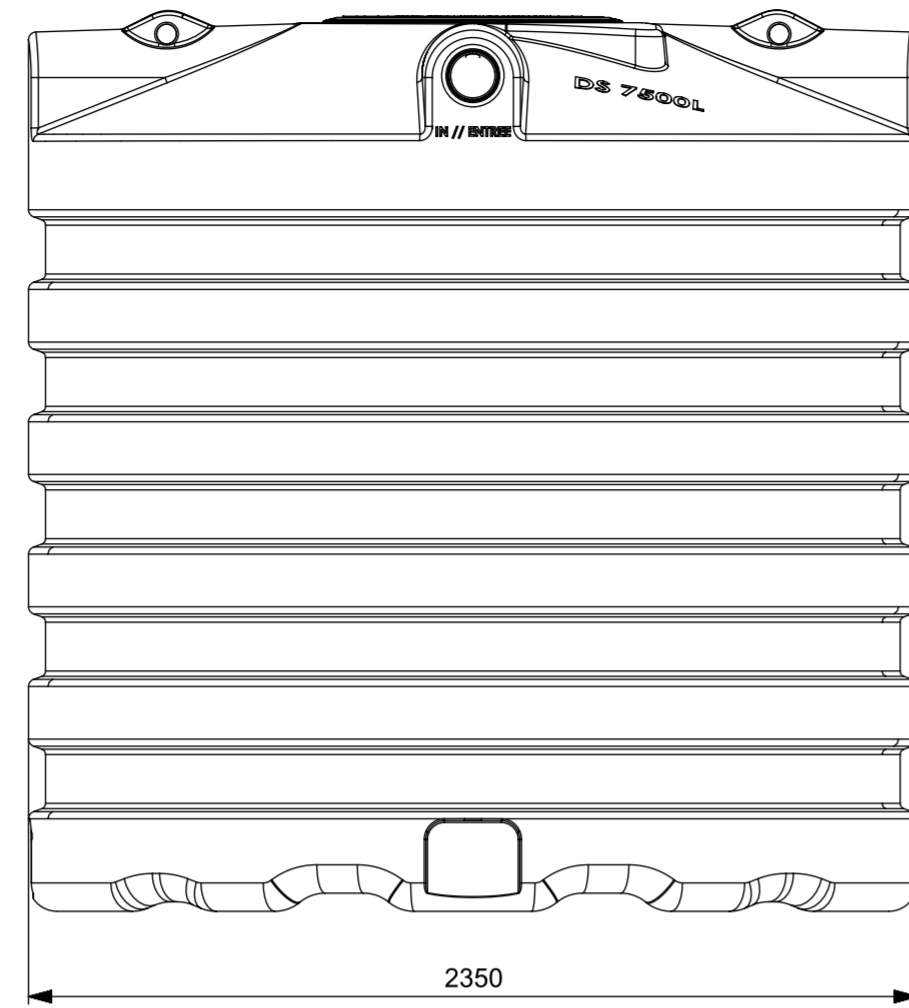
Linear tolerances	Surface roughness	Shape and positioning tolerances	Bend tolerances	Finishing
Drawing name				Material
DSB 4000L				LLDPE
Drawn by	Name	Date	Drawing number	Sheet 1 of 1
Approved by	unit : MM		DSB_4000L_2D_1.01.prt	Scale 1 : 16
DS PLASTICS WATERTIGHT SOLUTIONS			DS PLASTICS N.V. Mosten 18 9160 Lokeren T: +32 (0)9 280 78 80	Format A2
All rights reserved. No parts of this concept may be reproduced in any form or by any means without the prior written permission of DS PLASTICS N.V.				



Linear tolerances	Surface roughness	Shape and positioning tolerances	Bend tolerances	Finishing
Drawing name				Material
DSB 5000L				LLDPE
Drawn by	Name	Date	Drawing number	Sheet 1 of 1
Approved by	unit : MM		DSB_5000L_2D_1.01.prt	Scale 1 : 16
DS PLASTICS WATERTIGHT SOLUTIONS DS PLASTICS N.V. Mosten 18 9160 Lokeren T: +32 (0)9 280 78 80			All rights reserved. No parts of this concept may be reproduced in any form or by any means without the prior written permission of DS PLASTICS N.V.	Format A2



Linear tolerances	Surface roughness	Shape and positioning tolerances	Bend tolerances	Finishing
Drawing name				Material
DSB 6000L				LLDPE
Drawn by	Name	Date	Drawing number	Sheet 1 of 1
Approved by			DSB_6000L_2D_1.01.prt	Scale 1 : 20
unit : MM			Format	A2
DS PLASTICS WATERTIGHT SOLUTIONS			DS PLASTICS N.V. Mosten 18 9160 Lokeren T: +32 (0)9 280 78 80	
All rights reserved. No parts of this concept may be reproduced in any form or by any means without the prior written permission of DS PLASTICS N.V.				



Linear tolerances	Surface roughness	Shape and positioning tolerances	Bend tolerances	Finishing
Drawing name				Material
DSB 7500L				LLDPE
Drawn by	Name	Date	Drawing number	Sheet 1 of 1
Approved by	unit : MM		DSB_7500L_2D_1.01.prt	Scale 1 : 20
DS PLASTICS WATERTIGHT SOLUTIONS DS PLASTICS N.V. Mosten 18 9160 Lokeren T: +32 (0)9 280 78 80			All rights reserved. No parts of this concept may be reproduced in any form or by any means without the prior written permission of DS PLASTICS N.V.	